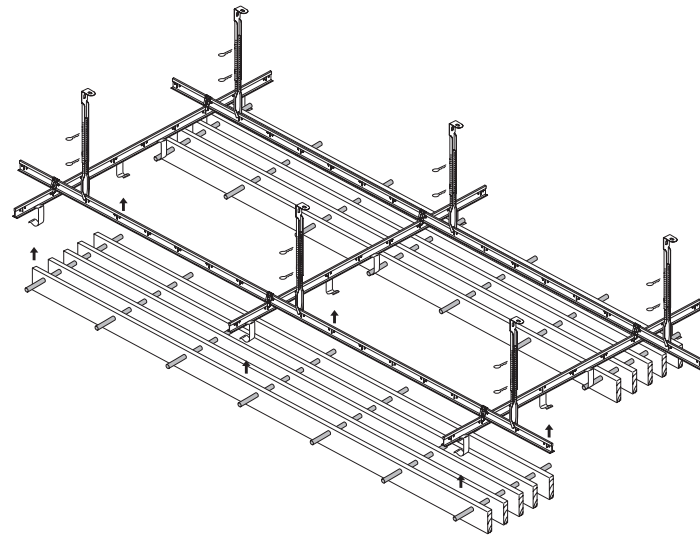


System overview

Wood Grill systems are suitable for ceiling and wall application and are available in three models.

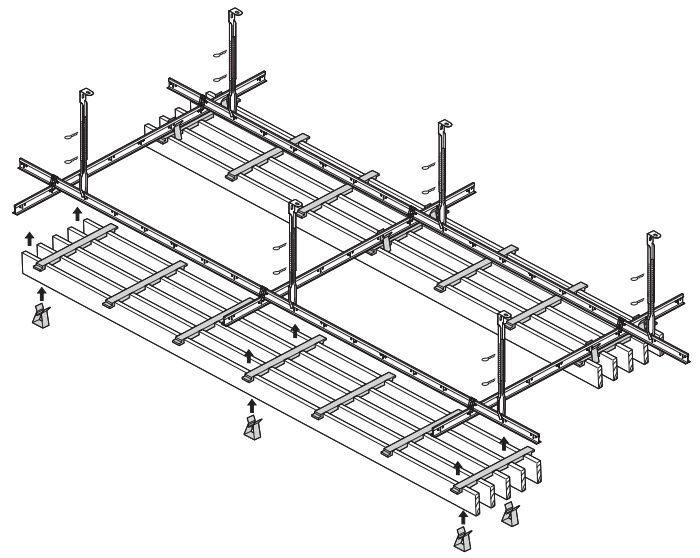
GRILL DOWEL

- Slats connected by a 12 mm black aluminium or steel dowel.
- Suitable for ceilings where access is sporadic.
- Installation by means of metal J- or U-clamp clicked into place from below on a T-24 profile.
- Dimensions: 300/450 x 900/2700 mm.



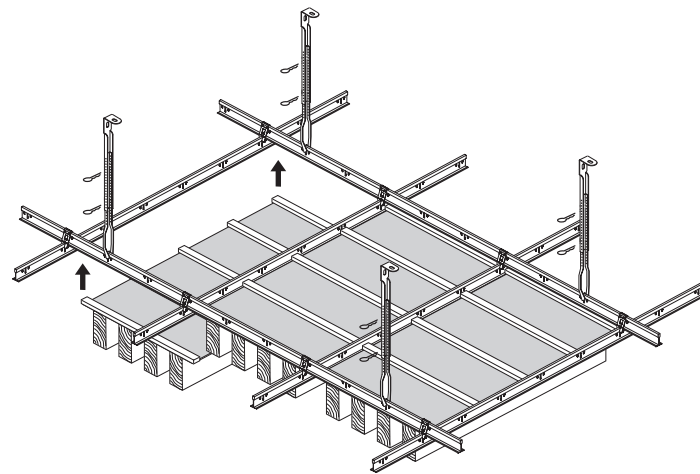
GRILL BACKER

- Milled slats connected to black multiplex cross-connectors with glue and rivets.
- Suitable for walls and ceilings.
- Installation by means of direct attachment to a wood or metal frame.
- The screw method allows each element to be removed individually.
- Particularly suitable for schools and sports halls.
- Dimensions: 300 x 2700 mm.
- Can also be installed in T-24 grid by means of a U-clamp.



GRILL CASSETTES

- Milled slats connected to black multiplex cross-connectors with glue and rivets.
- Installation in a system ceiling consisting of a T-24 grid in a 600 x 600 mm or 1200 x 600 mm panel distribution.
- The prepared cassettes are installed below.
- Each cassette can be individually removed.
- Dimensions: 600 x 600 mm
1200 x 600 mm

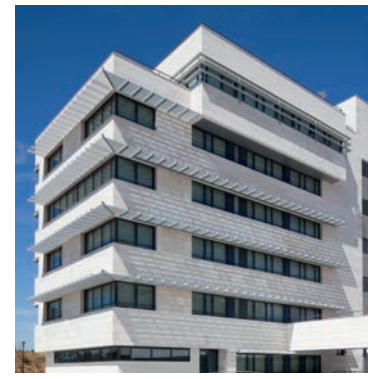


HunterDouglas 
Architectural

Ceilings



Sun Louvres



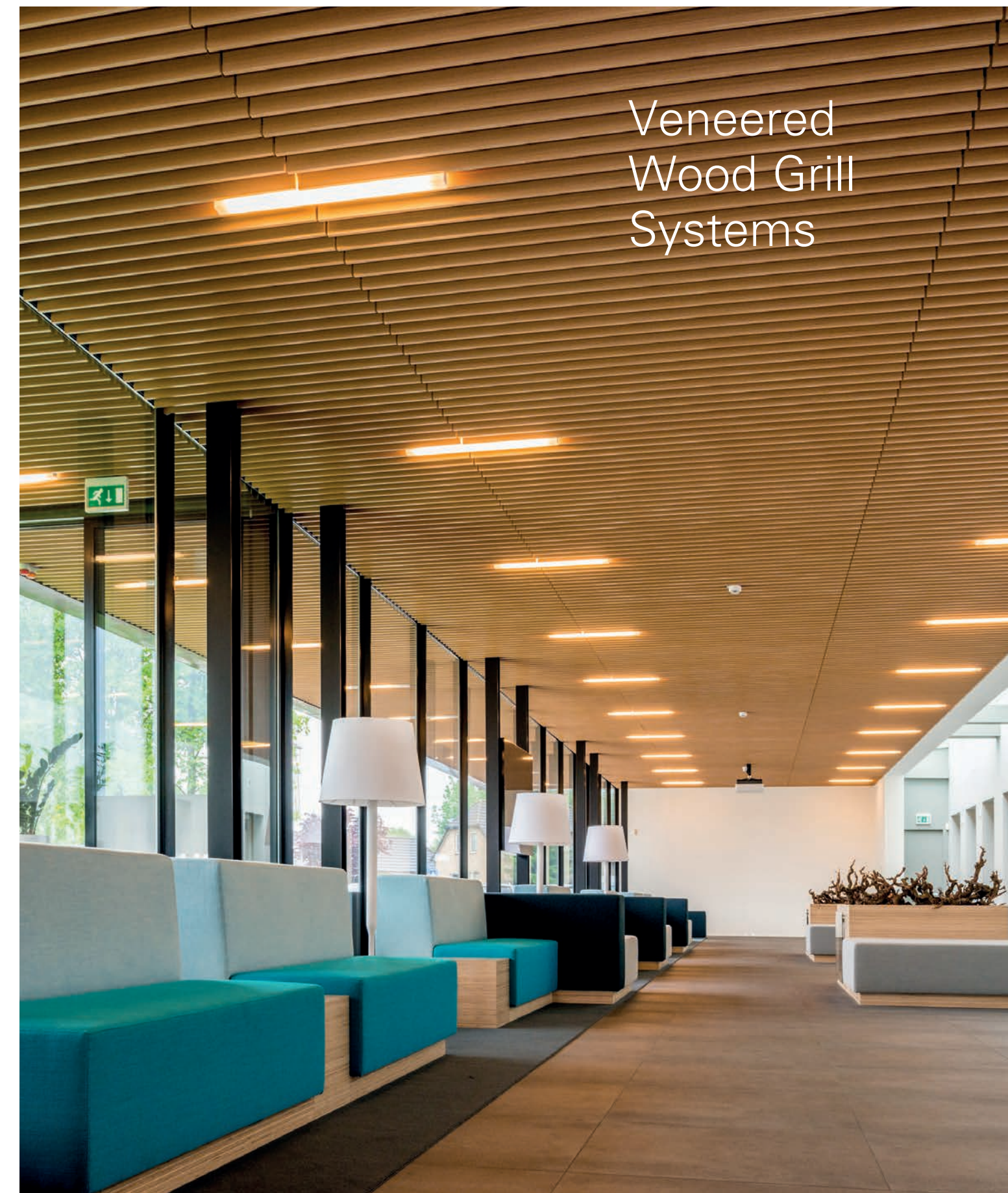
Façades



Belgium
Bulgaria
Croatia / Slovenia
Czech Republic
Denmark
France
Germany
Greece
Hungary
Italy
The Netherlands
Norway
Poland
Portugal
Romania
Russia
Serbia
Slovakia
Spain
Sweden
Switzerland
Turkey
United Kingdom
Africa
Middle East

Asia
Australia
Latin America
North America

Veneered
Wood Grill
Systems



Wood Grill Systems

Natural design and acoustic comfort



The Grill elements for ceilings and walls are an ideal acoustic solution with natural charm. The flexibility of the product range ensures complete design freedom for the architect.

The slat cores consist of MDF engineered solid wood (ESW) with a decorative finish of either a high quality real wood veneer, melamine, cork or a spray applied paint finish to any RAL colour. The dimensional stability of ESW ensures that there is plenty of freedom in the widths and thicknesses of the slats.

The slats are assembled ex works to create a grill element by means of a metal dowel or multiplex cross-connector. The grill element is simple to install on a T-24 grid for ceiling applications or on a wood frame for wall applications. Naturally, the Grill systems meet the strictest requirements with regard to fire safety and emissions, and the panels can be completely recycled after many years of use.



Project : Town hall, Didam, The Netherlands
 Product : Wood Grill Ceiling - EV Essen
 Architect : De Twee Snoeken



Promoting sustainable forest management
www.pefc.org



Great design freedom

The wood grill system offers architects complete freedom of design. Continuous ceilings and walls are easy to achieve, providing a unique and dynamic outcome. Many things are also possible for the finish, ranging from colour stains on the basis of samples to RAL colours. We would be delighted to assist you with the design process in order to guarantee the optimum outcome and efficient installation.

Dimensions

The lengths of the elements are made to measure in order to prevent wastage and achieve a calm impression. The aim is to ensure the most efficient dimensions. To achieve ideal visibility of the wood slats, the height must be approximately the same dimension as the gap. The total weight of the element is a deciding factor for the panel length.

Specifications

Base material : 16/19/22/25/30 mm fire-retardant MDF (B-s1,d0 - EN 13501-1) moisture-resistant MDF also available.

Top layer : high quality veneer-melamine decor/cork/RAL or NCS colour.

Grill element dimensions : 300/450 x 900/2700 mm.

Grill cassette dimensions : 600 x 600 mm 1200 x 600 mm.

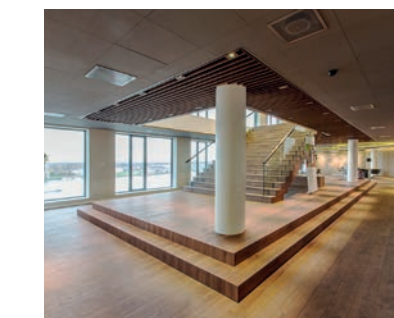
Other sizes available on request

Installation system : by means of metal J or U clip on T-24 grid. Also possible for direct attachment to wood or metal frame.

Acoustic cloth System : black, ceiling or wall

Acoustics

Acoustic comfort has a great deal of influence on how a room is experienced. Fire-retardant polyester wool is fitted to the grill element in the factory for the absorption of sound energy. This cloth also conceals the engineering and rear structure of the ceiling and prevents building dust. Sound energy is absorbed through the open area between the slats.

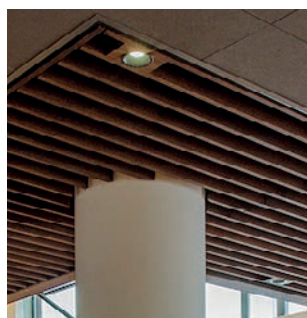


The table shows the results of a wood grill system with acoustic wool and mineral wool.

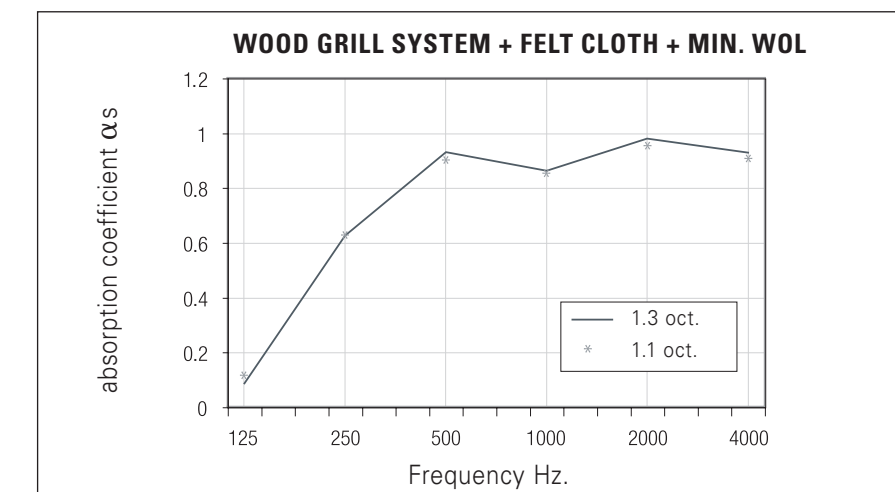
- Slat width 17 mm.
- Slat height 55 mm.
- Intermediate space 44 mm.
- UV polyacrylic varnish finish.
- Soundtex 0.2 mm.
- Polyester wool 3 mm.
- Test method: ISO 354:2003.

α_w 0.85
 NRC 0.85

HunterDouglas Architectural



Above : Douwe Egberts headquarters, The Netherlands
 Product : Wood Grill Ceiling - veneered



FREQUENCY (HZ)	125	250	500	1000	2000	4000
1/3 octave	0.10	0.44	0.82	0.85	0.93	0.96
	0.14	0.62	0.91	0.85	0.98	0.94
	0.31	0.80	0.91	0.83	0.96	0.86
1/1 octave	0.16	0.62	0.88	0.84	0.96	0.92