

Metal Woodprint

The natural look

The Metal Woodprint range combines the benefits of Luxalon® Metal Ceilings with the ambience of natural wood. Our Linear ceiling systems are now available in a range of Woodprint finishes.



Metal Woodprint

Advantages of metal,
with the ambience of wood



Combine the proven advantages of the Luxalon® Metal ceilings with the natural looks of wood. Choose from a range of wood tones to give any space a warmer ambience.

The Metal Woodprint finish can be applied to most Luxalon® Metal ceilings. Choose from the box shaped Multi-Panel ceilings, with various widths and heights, or create an open ceiling with the V100 or V200 Screen ceilings. Distinguish from standard uni colors and bring nature in.

Cover and above: EKZ Mall, Liepziger Platz, Berlin, Germany
Product : Multi-Panel 30BD and 80B, Metal Woodprint
Architect : ARGE LP12





The sustainable solution

Focus on sustainable development has increased in priority around the globe. The Metal Woodprint ceilings are an environmentally friendly solution, as the aluminium used for the ceiling has 92% recycled content and is 100% recyclable.

LUXALON®

Take it outside

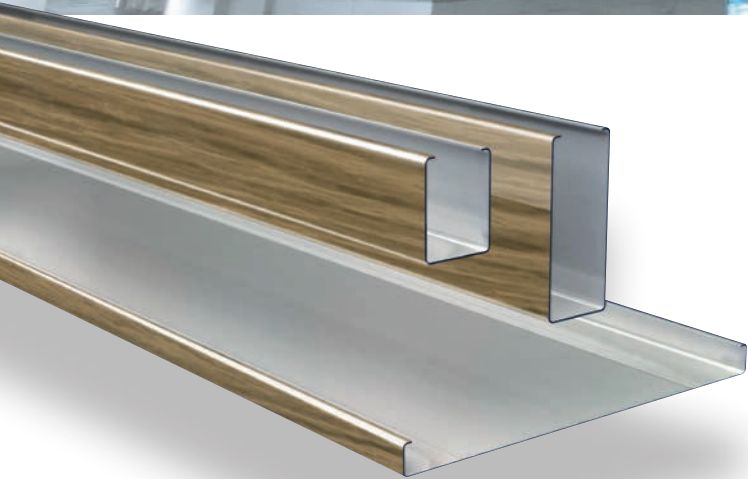
Our Metal Woodprints are available for interiors and, upon request, also for exterior applications.



Above : International Poznan Fairs, Poznan, Poland
 Product : Multi-Panel 80B Interior and Exterior, Metal Woodprint
 Architect : ADS Studio

CONTENT

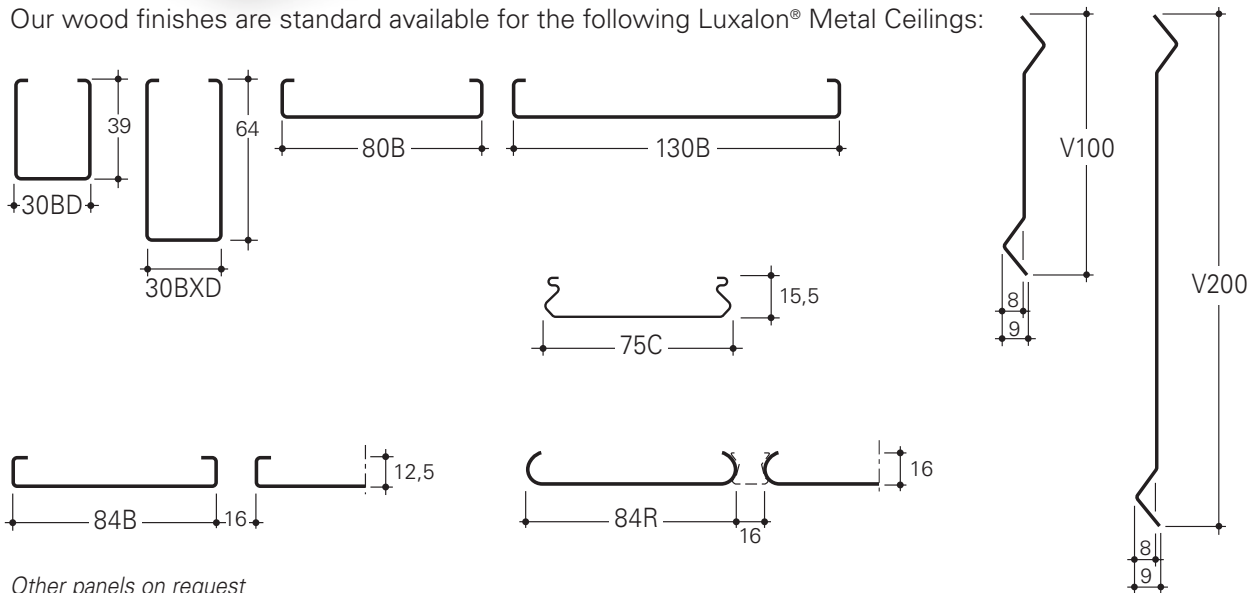
Metal Woodprint	2
The sustainable solution	3
Take it outside	3
Various shapes	4
Acoustics	5
Wood Species	5
Technical details	6
Service	7



Metal Woodprints in various shapes

Create a natural environment by choosing one of our Metal Woodprint finishes, and let the wood tones contribute to a warmer ceiling solution. The paint has been specially developed for our Metal Linear Ceilings. Choose from a range of wood prints such as Palisander, Pine, Cedar, Birch and Oak or develop a custom wood tone, on request.

Our wood finishes are standard available for the following Luxalon® Metal Ceilings:

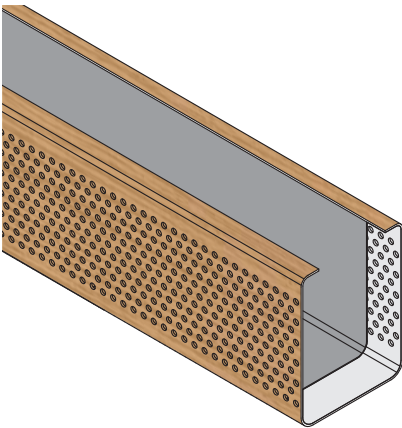


Left : Pudong, Shanghai, China
Product : Multi-Panel 180B, Metal Woodprint
Architect : East China Architectural Design & Research Institute

Acoustics

The acoustic comfort in an office space, school or public building contributes to our well-being as good acoustic comfort can positively affect health, communication, safety, productivity and learning.

The specially developed side perforation, together with a non woven tissue, gives the panel a very high acoustical performance. As the perforation is only on the panel sides, the wood grain is not visibly interrupted. Kindly refer to our website for acoustical test reports.

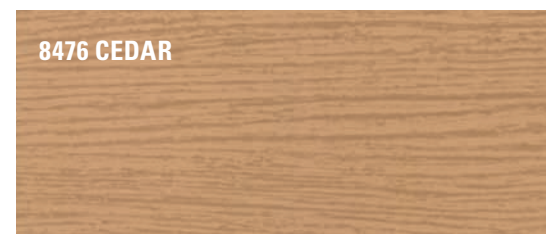
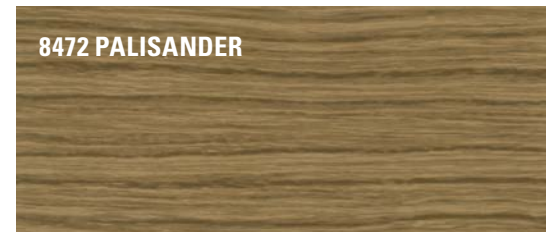


Above : Chanhassen High School, MN, USA
Product : Multi-Panel 80B, Metal Woodprint
Architect : Perkins + Will Architects

Wood species

A standard selection of woodprints is available, however custom solutions can often be developed to match the design concept.

Please contact our local sales office for more information about our latest Metal Woodprint collection.



LUXALON®



TECHNICAL DETAILS

Coil Coating

Luxalon® Metal Suspended Ceilings are classified incombustible and will therefore not contribute to possible fires. When ceilings however need to protect the structural integrity of the building, Luxalon® Ceilings offer a range of practical and tested solutions with regards to fire retardancy and fire stability. Further information is available on request.

Colour range

In addition to the wood prints, the standard Hunter Douglas interior and exterior colour range for Luxalon® Linear Ceiling systems includes other standard colours and finishes. See colour chart. Any other (RAL or NCS) colour is available on request.

Curved Ceiling possibilities

Flexible carriers can be used for our Multi-panel, 84B, 84R and 70U profiles. The 84R panel itself can also be curved to create a curved ceiling.

Sport hall Ceiling

The 70U system with either steel or aluminium panels and carriers makes the system perfectly suitable for applications in sport halls. On request, also these panels can be made in a woodprint.

Exterior use

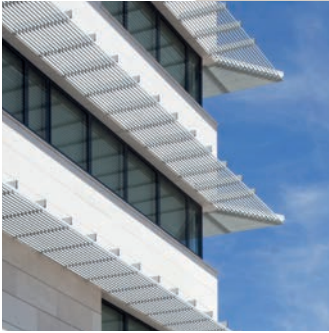
Our proprietary coil-coating process ensures ceiling panels get a superb finish. The alloy and pre-treatment offers optimal resistance to corrosion.

Left : Zayed Sports City, Abu Dhabi,
United Arab Emirates
Product : Multi-Panel 80B, Metal Woodprint
Architect : Sparch

LUXALON®

HUNTER DOUGLAS ARCHITECTURAL

In the last 60 years, we have been fortunate enough to help turn countless innovative ideas into products for innovative buildings. With major operation centres in Europe, North America, Latin America, Asia and Australia we contribute to thousands of high-profile projects including shopping centres, airports, government offices, hospitals, universities and offices.



▲ SUN LOUVRES



▲ PLAFONDS



▲ FAÇADES



ARCHITECTURAL SERVICES

We support our business partners with a wide range of technical consulting and support services for architects, developers, and installers. We assist architects and developers with recommendations regarding materials, shapes and dimensions, colours and finishes.

We also help creating design proposals, visualisations, and installation drawings. Our services to installers range from providing detailed installation drawings and instructions to training installers and advising on the building site.

Designed to work for you



Hunter Douglas adopts the cradle to cradle (C2C) product philosophy to the design of products that fit the circular paradigm. They are designed for longevity, using materially healthy technical nutrients that can be reused at end of life as a high-quality source for something new.

Cradle to Cradle Certified™ is a certification mark licensed by the Cradle to Cradle Products Innovation Institute.



Hunter Douglas products and solutions are designed to improve indoor environmental quality and conserve energy, supporting built environments that are comfortable, healthy, productive, and sustainable.



All aluminium products are 100% recyclable at the end of their lifecycle.



Learn More

- Contact our Sales office
- www.hunterdouglas.co.uk

Ceilings



Sun Louvres



Façades



- Belgium
- Bulgaria
- Croatia / Slovenia
- Czech Republic
- Denmark
- France
- Germany
- Greece
- Hungary
- Italy
- The Netherlands
- Norway
- Poland
- Portugal
- Romania
- Russia
- Serbia
- Slovakia
- Spain
- Sweden
- Switzerland
- Turkey
- United Kingdom
- Africa
- Middle East

- Asia
- Australia
- Latin America
- North America

Hunter Douglas Architectural United Kingdom

8 Charter Gate
Clayfield Close, Moulton Park
NN3 6QF Northampton
United Kingdom
Tel. +44 (0)1604 648 229
info@hunterdouglas.co.uk
www.hunterdouglas.co.uk