

# Tavola™ Baffle Ceiling System

A robust ceiling  
with graceful appearance

**HunterDouglas**   
Architectural

# Tavola™ Baffle Ceiling Systems

Discover the comforting effect of graceful strength

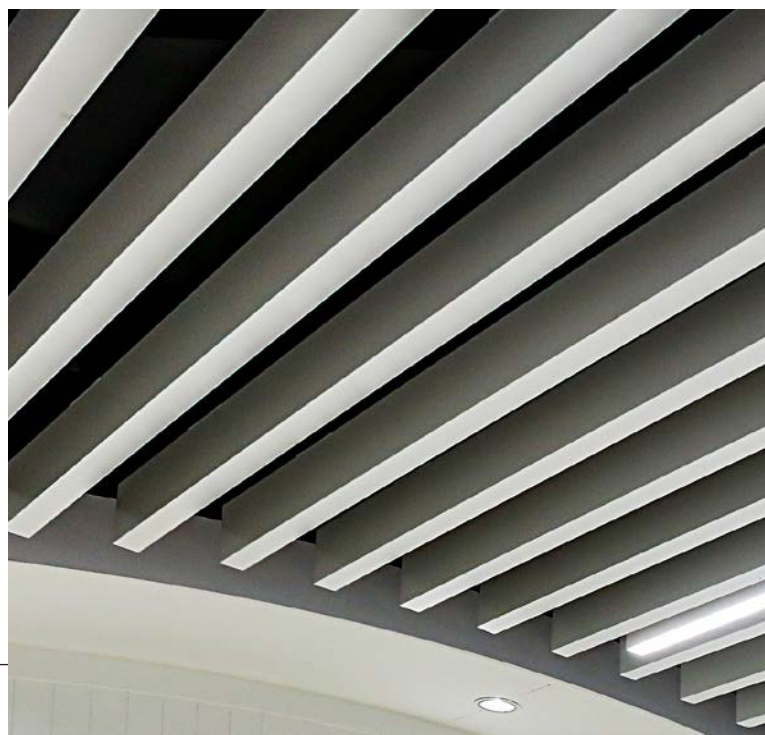


Project : Law firm Wragge Lawrence Graham & Co, Birmingham, United Kingdom  
Product : Baffles Tavola™ Straight  
Architect: Weedon Architects

## Create atmosphere

**Introducing a unique Baffle Ceiling System from Hunter Douglas Architectural. This exciting open ceiling construction features vertical and linear bars that are designed to add grace and poise to a building's interior.**

A myriad of options are available that allow designers to create inspirational ceilings with superb acoustic performance. Extra space between the baffles allows for easy access to the plenum and the simple installation of integrated lighting, sprinkler and climate control systems.



## A wide range of design options

**Our Baffle Ceiling systems are available in a wide range of materials, colours and designs, including wood décor and steel. Straight, meandering or undulating shapes can be produced to create character and atmosphere in a wide range of interior spaces.**

The Hunter Douglas Baffle Ceiling system ensures a perfect linear appearance with excellent acoustic performance. Our Baffle Ceiling is particularly suitable for use in areas where acoustic performance is critical such as schools, libraries, indoor sporting arena, public lounges and transport hubs.

### The benefits of a Baffle Ceiling System

**Visual and acoustic comfort in one robust Ceiling System.**

- Endless design options
- Can be customised to your needs
- Open space for integrated technology
- Easy installation with standard carriers
- Compliant with all safety regulations

| <b>CONTENT</b>                     | <b>Page</b> |
|------------------------------------|-------------|
| Baffle Ceiling Systems             | 2           |
| Tavola™ Straight                   | 4           |
| Tavola™ Levels                     | 5           |
| Tavola™ Divergent                  | 6           |
| Dimensions, colours & key features | 7           |
| Bespoke Baffle Systems             | 8           |
| Hunter Douglas Architectural       | 10          |



# Tavola™ Straight

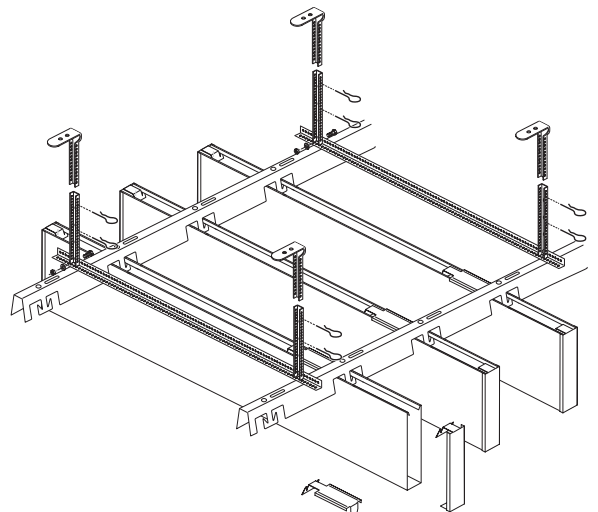
Project : Darwin Centre, Shrewsbury, UK  
 Product : Baffles Tavola™ (Straight)  
 Architect: Chapman Taylor

## Distinctive looks, improved acoustics

Tavola™ Straight Baffles from Hunter Douglas feature an open ceiling construction that allows a view to the plenum area and concrete ceiling above. They are particularly suited for remedial installation on ceilings where a distinctive design or improvement to the acoustic performance is required. A Baffle is a construction or device that reduces the levels of airborne sound. As a ceiling system they are ideal for mitigating noise pollution and reverberating sound.



## System composition



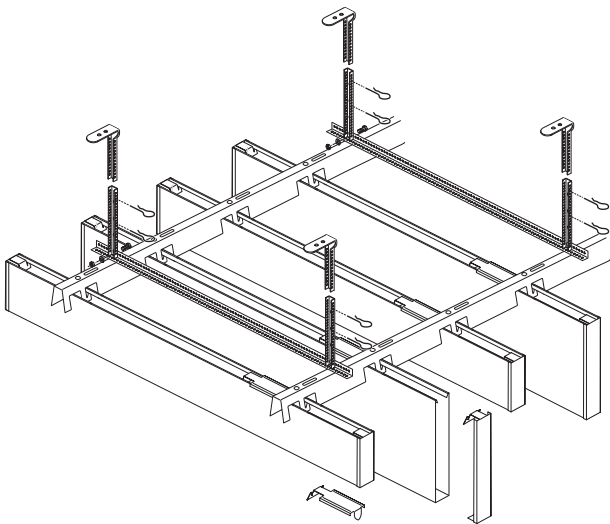
Tavola™ Straight



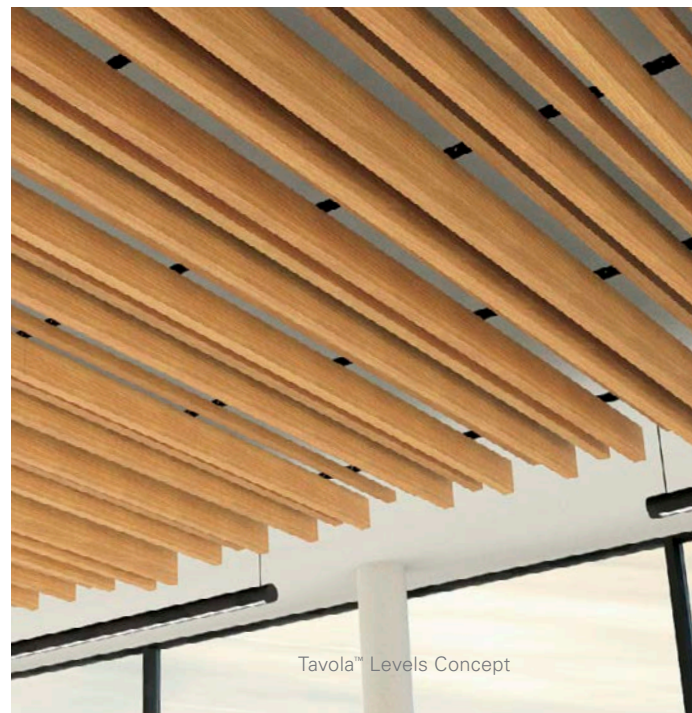
## Create rhythm with height

Hunter Douglas Tavola™ Levels incorporate different baffle heights in one system, allowing the designer to create a unique rhythm or playful landscape to the ceiling surface. The Tavola™ Levels Baffle ceiling system is easy to install with baffles simply clamped to a standard pre-punched carrier.

## System composition



Tavola™ Levels





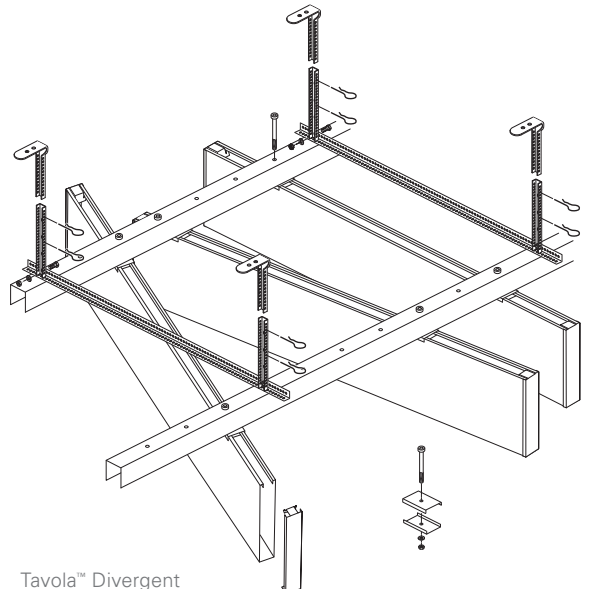
## Find symmetry in the atypical

**Non-parallel, diverging beams and baffles create organic textures in an unlimited variety of configurations for interior applications. Tavola™ Divergent Baffles create contemporary movement without the traditional lines.**

*Below : Tavola™ The Divergent Concept*



## System composition



Tavola™ Divergent

Left : Booking.com, Orlando, FL, USA  
Product : Baffles Tavola™ (Divergent)  
Photo : MACBETH PHOTO

## Dimensions & Colours

Tavola™ Baffles are easy to install and are available in 20, 30, 40, and 50 mm widths, depths from 50 to 300 mm and lengths up to 5000 mm.

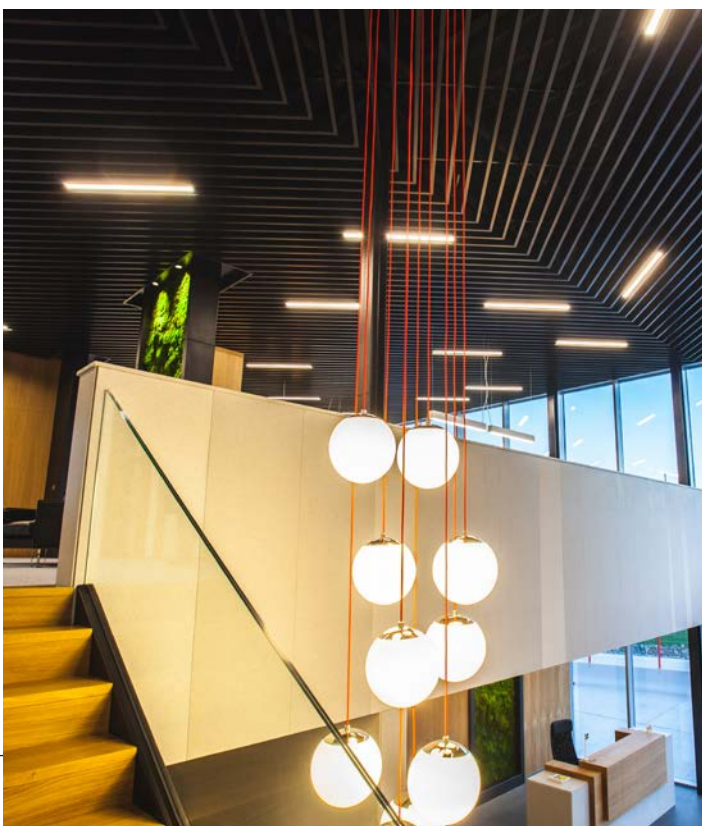
A wide range of finishes are available including wood décor and steel and baffles can be powder coated in a standard colour or on request in any desired RAL colour.

## Design elements

Tavola™ Baffles offer best-in-class vane and carrier options that make them ideal for large spaces requiring a one-way plenum mask or specific lighting effects.

Tavola™ Baffle systems from Hunter Douglas provide the architect and designer with an opportunity to create a ceiling in which creativity, beauty, surprise and functionality all come together.

Below : Ecocolor, Jucu, Romania  
Product : Baffle Ceiling system  
Architect: Cosmin Todor



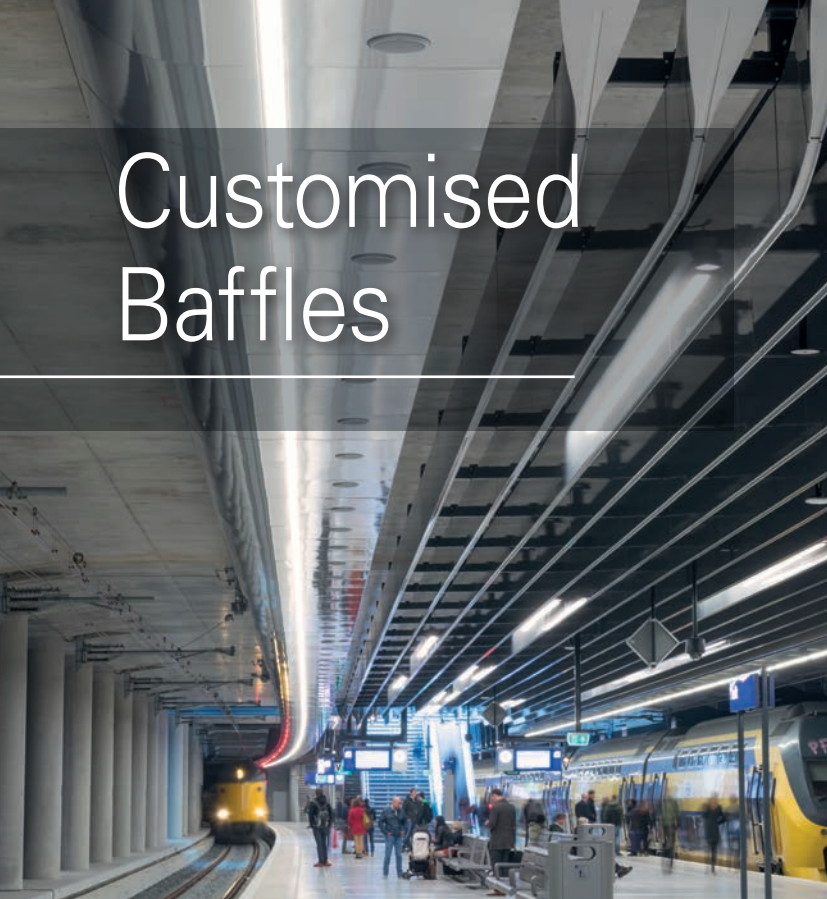
Above : C&A Europe, Wijnegem, Belgium  
Product : Baffle Ceiling system  
Architect: Gensler London

## Key features

### TAVOLA™ STRAIGHT, LEVELS & DIVERGENT

- Profile lengths up to 5000 mm
- Profile heights: 50 - 500 mm
- Profile widths: 20, 30, 40 and 50 mm
- Standard FE carrier 60 x 3000 mm, black
- On site waste reduction with factory fabricated dimensional material
- Downweight: reduce static load with lightweight steel or aluminum
- Standard from pre-painted steel strip
- Easy plenum access

# Customised Baffles



Above : Spoorzone Delft, The Netherlands  
Product : Custom Baffle ceiling  
Architect : Benthem Crouwel Architects

## Bring your ideas to life

Do you have any special requirements or ideas regarding your next ceiling project? At Hunter Douglas Architectural we are more than willing to collaborate with you to engineer a baffle ceiling to your exact specification. Our customised baffles can be manufactured with all kinds of finishes, dimensions, shapes, colours and patterns. Contact your local technical sales representative for more information.

Below : Avery Dennison, Glendale CA, United States  
Product : Custom Baffle ceiling  
Architect : HOK, Culver City, CA



## Physical data

- Substrate: Steel or Aluminium
- Weight: Varies 4.7 - 10.3 kg/m<sup>2</sup>
- Light reflectance (LR) Coefficient:
  - Varies with finish
  - RAL9010: LR = 0.81
- Acoustic ratings:  $\alpha_w$  0.4 - 0.5 (H)

## BIM

- REVIT files available, see website for details.

## Fire classification

- Tested on Tavola™ and Sedes™ baffle ceilings
- The reaction to fire classification is A2,s1,d0 according EN 13501-1.

## Leed v4 credits

- MR : Building Product Disclosure
- EQ : Low-Emitting Materials
- EQ : Indoor Air Quality Assessment
- EQ : Acoustic Performance

## Certifications

- TAIM QS
- French VOC Regulation: Class A

For more information visit our website:  
[www.hunterdouglasarchitectural.eu](http://www.hunterdouglasarchitectural.eu)

**HunterDouglas**   
Architectural





Escalator  
Middle and Upper Levels 19  
Town Centre  
Toilets

CHINESE HERBS & ACUPUNCTURE  
TEL: SHREWSBURY 01743 368865

50%  
OFF  
SHOES  
AND  
SANDALS

Green Tree  
Organics

Green Tree  
Organics

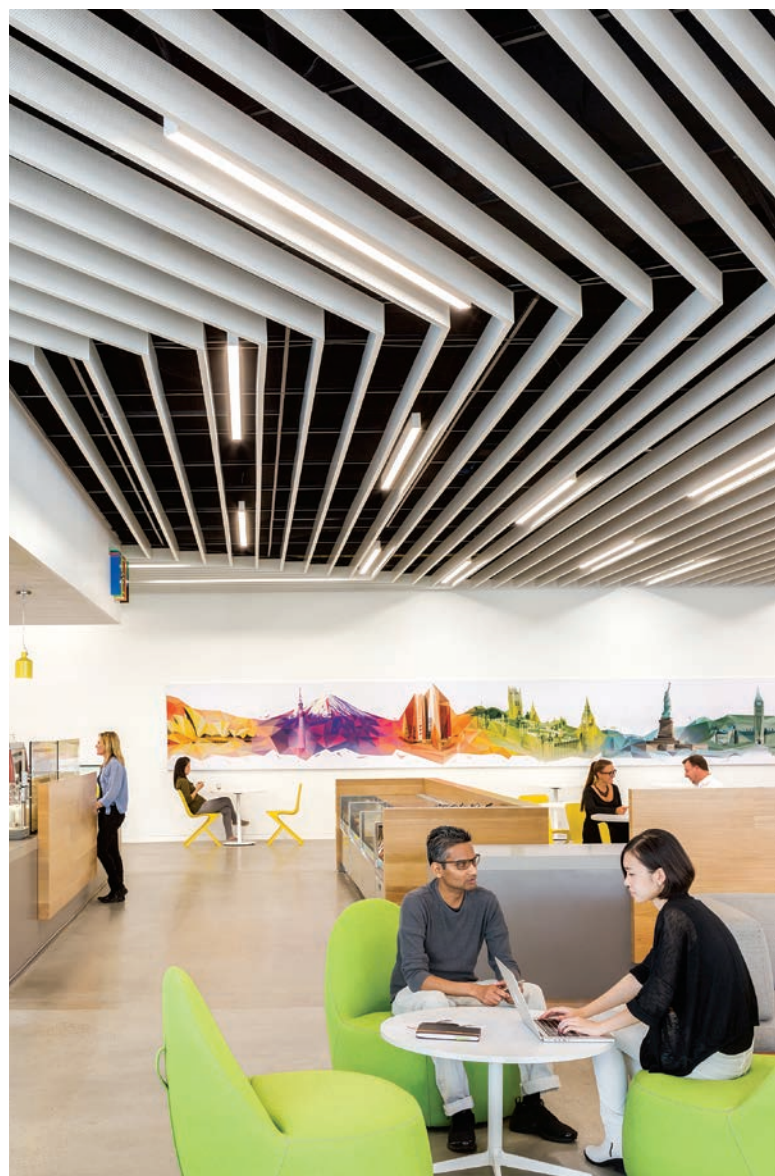
Green Tree  
Organics

Project : Darwin Centre 21, Shrewsbury, United Kingdom  
Product : Baffle Ceiling  
Architect: Chapman Taylor

# Designed to work for you

**Hunter Douglas is a global player within the field of modern architecture. We understand the conflict between form and function better than anyone, and enrich the market with inspiring solutions that strengthen the aesthetic appeal of buildings and their functionality in terms of indoor climate, energy use and acoustics.**

We develop clever and aesthetically appealing solutions in collaboration with architects and designers to control heat, light, sound and energy. We are also inspired by real-world challenges and ideas as well as developments in technology and materials. All our products are thought out in great detail to make a difference to both architects and end users.



© Registered trademark of Hunter Douglas - a HunterDouglas® product. © Copyright Hunter Douglas 2019. No rights may be derived from the text or the illustrations or examples accompanying the text. Materials, parts, compositions, designs, versions, colours and the like may differ without prior warning.



Printed on EU Ecolabel certified paper



▲ SUN LOUVRES

CEILINGS ▼



▲ CEILINGS

FAÇADES ▼



## Architectural services

We support our business partners with a wide range of technical consulting and support services for architects and installers. We assist architects and developers with recommendations for materials, shapes, dimensions, colours and finishes. We also help create design proposals, visualisations and technical drawings. Our services to installers range from providing detailed installation drawings and instructions.

## More information

Contact our **Project Support** for further help and advice on the design possibilities our applications can create.

**Tel. +31 (0)10 - 486 99 11**

Visit our website:

**[www.hunterdouglasarchitectural.eu](http://www.hunterdouglasarchitectural.eu)**



Hunter Douglas products and solutions are specifically designed to improve the indoor climate and save energy. They create an environment that is pleasant, healthy, productive and sustainable.



Hunter Douglas aims to produce sustainable products. Our painting and aluminium smelting processes are regarded as setting the bar for the most important standards in clean production methods. All aluminium products are 100% recyclable at the end of their lifecycle.

Ceilings



Sun Louvres



Façades



- Belgium
- Bulgaria
- Croatia / Slovenia
- Czech Republic
- Denmark
- France
- Germany
- Greece
- Hungary
- Italy
- The Netherlands
- Norway
- Poland
- Portugal
- Romania
- Russia
- Serbia
- Slovakia
- Spain
- Sweden
- Switzerland
- Turkey
- United Kingdom
- Africa
- Middle East
  
- Asia
- Australia
- Latin America
- North America

**Hunter Douglas Architectural**

Piekstraat 2  
P.O. Box 5072 - 3008 AB Rotterdam  
The Netherlands  
Tel. +31 (0)10 - 486 99 11  
Fax +31 (0)10 - 484 79 10  
[www.hunterdouglasarchitectural.eu](http://www.hunterdouglasarchitectural.eu)