

LUXALON®

Lightlines

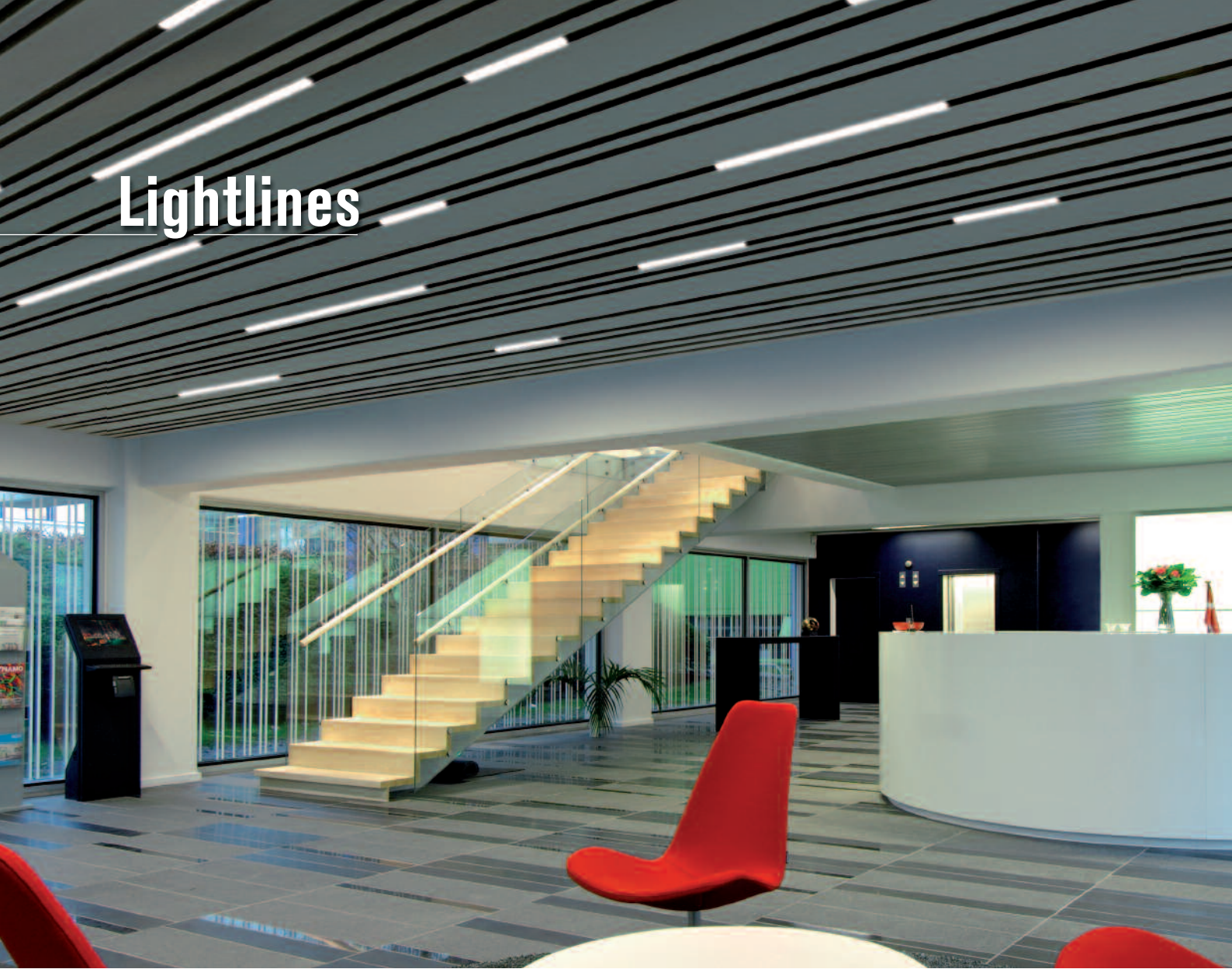
Lightlines, an innovation from Luxalon®, brings new depth and detail to linear ceilings. Embrace enhanced aesthetics and stronger wayfinding for your next project with these sleek, luminous lines. This new Luxalon® lighting innovation snaps effortlessly into the joints of our Multi-Panel system.

Novelty

HunterDouglas

CEILING

Lightlines



The Luxalon® Lightlines are rendered in a photo of an actual Luxalon® ceiling project.

A Bright Idea: It is time to see ceilings in a new light.

DESIGN:

Luxalon® Lightlines are specially designed by Hunter Douglas for integration with Luxalon® Multi-Panel Ceilings: These decorative, subtle bands of light enhance the appearance of our Linear Metal Ceilings, while also providing wayfinding solutions in public areas, hospitals and airports.

SYSTEM:

Luxalon® Lightlines are LED strings embedded in translucent polycarbonate extrusions that fit into the joint of our Multi-Panel Ceiling. A wide range of options ensures a unique ceiling design; choose from 6 different colours (white, warm white, amber, red, green, and blue), as well as 6 different lengths ranging from 160 mm up to 1160 mm.

With a power consumption of 3.6 W per linear meter and with a maximum operating temperature of 35 degrees Celsius, Luxalon® Lightlines have a very low impact on the total power consumption of the building. Luxalon® Lightlines comply with the EC directive 2002/95/EC on the Restriction of Hazardous Substances, RoHS.

INSTALLATION:

Ready to use, the Lightlines system does not require the assistance of a professional light installation specialist.

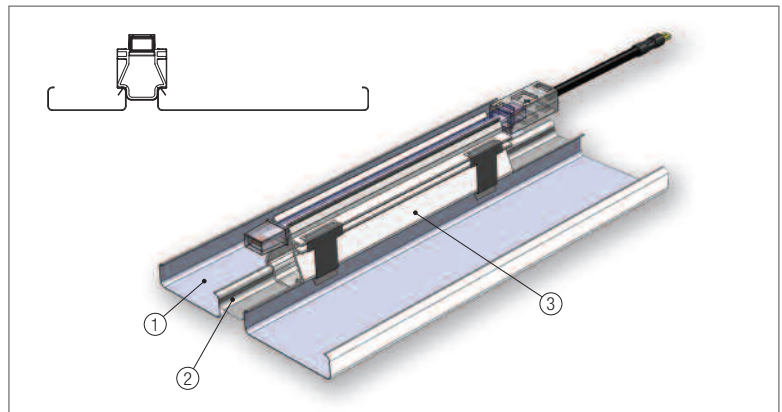
The Lightlines click into the 20 mm joint between the panels. Up to six Lightlines can be connected to the 6-Way plug, which through the supplied transformer, easily connects to the mains power supply (suitable for 150V - 264V). With a lifetime of > 20,000 hours for the LED, the Lightlines require less maintenance compared to conventional lighting (lifetime of a fluorescent lamp 3,000 - 5,000 hours, CFL 3,000 - 5,000 hours and incandescent lamp 1,000 - 1,500 hours).

Luxalon® Lightlines in combination with the Multi-Panel System consists of 3 visible parts:

- 1 = Multi-Panels (30B/80B/130B/180B)
- 2 = Recessed Joint Profiles
- 3 = Lightlines

Behind the ceiling:

- 6-way Plug
- Connector Cables
- Transformer



TECHNICAL DATA

• Lightlines

Colors	: White, Warm White, Amber, Red, Green, Blue
Lengths	: 160 / 360 / 560 / 760 / 960 / 1160 mm
Lifetime	: > 20,000 hours
Operating voltage	: 24V DC
Power consumption:	3.6 W/m
Dimable	: Yes
Safety Rate	: IP55
Fire Safety	: DIN 4102 B1
CE according to	: EN 60598-1 and EN 55015
Connector cable	: 5 lm with connector for the 6-Way plug

• 6-Way plug (delivered together with the transformer)

Each Lightline is connected to the 6-Way plug	
Maximum	: 6 Lightlines (maximum total length: 6 lm)
Safety Rate	: IP20
CE according to	: EN 60320
Connector Cable	: 300 mm to fit transformer

• Transformer (connected to the 6-way-plug):

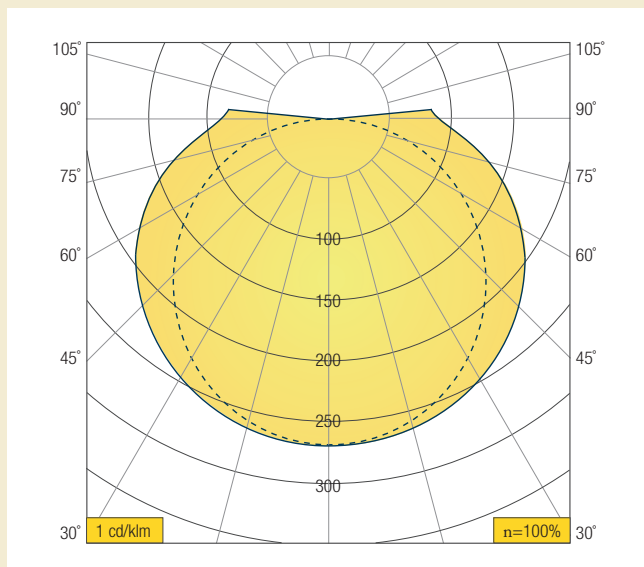
Input	: 150V - 264V AC, 50Hz - 60Hz
Output	: 24V DC 25W
Safety Rate	: IP20
CE according to	: EN 61347, EN 61547, EN 61047 and EN 55015
Connector cable	: 1.5 lm (including plug for 230V mains power supply)

LUMINOUS INTENSITY

The power, measured in candela (cd/klm), emitted by the Lightline in a particular direction per solid angle.

Example: Viewing angle to lightline: 30°

Luminous Intensity: 250 cd/klm



— C0,0 : measured from below - - - - C90,0 : measured from aside

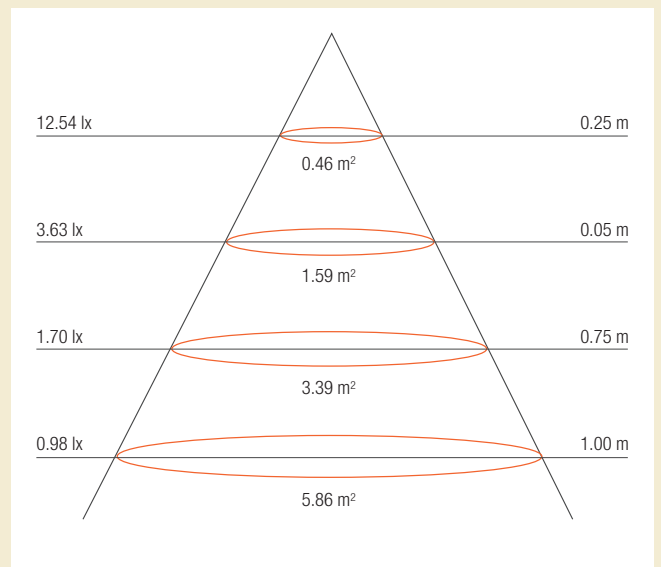
ILLUMINATION INTENSITY

The total Luminous flux, measured in lux (lx), to the illuminated area.

Example: at a distance of 0.75 lm from the lightline:

- illuminance: 1.70 lx (= 1.7 candela per 1m²)

- illuminated area: 3.39 m²



Based on a Luxalon® lightline of 960 mm in the color warm white

HUNTER DOUGLAS

Forty years ago, we pioneered suspended metal ceilings. We've been hard at work ever since, developing products to meet the demands of innovative architects and designers. We've crafted a comprehensive range of Luxalon® Metal Ceilings that excel in design and performance, with solutions from Linear and Wide Panel to Curved, Plank, and Tile. Each is available in a variety of styles, colors, and finishes, guaranteeing that no matter your vision, we've got the look you're after. Just dream it up. We'll be ready.

HunterDouglas

WINDOW COVERINGS

CEILING

SUN CONTROL

FAÇADES

HUNTER DOUGLAS EUROPE B.V.

2, Piekstraat
P.O. Box 5072 - 3008 AB Rotterdam
The Netherlands
Tel. +31 (0)10 - 4869911
Fax +31 (0)10 - 4847910
www.hunterdouglascontract.com