



LUXALON®

## V100/V200

Hunter Douglas Luxalon® V100/V200 Baffles open up new possibilities in directional room design. Employ smooth, open ceilings with unique visual patterns and lines to provide a spacious environment.



**HunterDouglas**   
Architectural

# V100/V200

Providing spacious environment



## **FLEXIBLE BY DESIGN**

Luxalon® ceiling systems offer almost endless design possibilities. Our wide variety of products, colours, and finishes can be combined to create dramatic, high-quality ceilings.

Luxalon® V100/V200 Baffles are engineered to dimensionally define the ceiling plane. Consisting of vertically hung, 'floating' panels, V100/V200 creates unique visual patterns and lines without compromising the sense of a spacious environment.

Luxalon® V100/V200 Baffle ceiling mask the plenum while allowing easy access as well as efficient performance of air conditioning, lighting, and sprinkler systems.

## **DECO CREATES DECORATIVE DEFINITION**

Luxalon® V100/V200 Deco brings extra dimension to the baffles. The Deco elements help designate special areas by drawing the eye with noticeable depth and character. Define a walking route, coffee corner, or reception area.

Using the standard V100/V200 and V100/V200 Deco either together, or individually, is an ideal solution for important spaces in airports, entrance areas, and exhibition halls.





The Luxalon® Baffle ceiling is ideal for visually reducing room height while retaining original room volume.

Luxalon® Baffle ceiling excels at diffusing daylight or artificial light entering from above.

At a minimum viewing angle of approximately 45 degrees, the ceiling has a closed appearance.

#### FIRE BEHAVIOUR

Luxalon® metal suspended ceilings are fully tested for reaction to fire, and are classified A2,s1,d0 according to EN 13501-1 and will therefore not contribute to possible fires. When ceilings however need to protect structural integrity of the building, Luxalon® ceilings offer a range of practical and tested solutions with regards to fire stability.

Further information is available on request.  
[www.hunterdouglasarchitectural.eu](http://www.hunterdouglasarchitectural.eu)

<b>CONTENT</b>	<b>Page</b>
V100/V200 Baffle ceiling	2
V100/V200 Sliding Baffle ceiling	3
Specifications	4
V100/V200 Deco	5
Designs	6

## Designed to work for you



Production by  
Hunter Douglas  
Ceiling Center



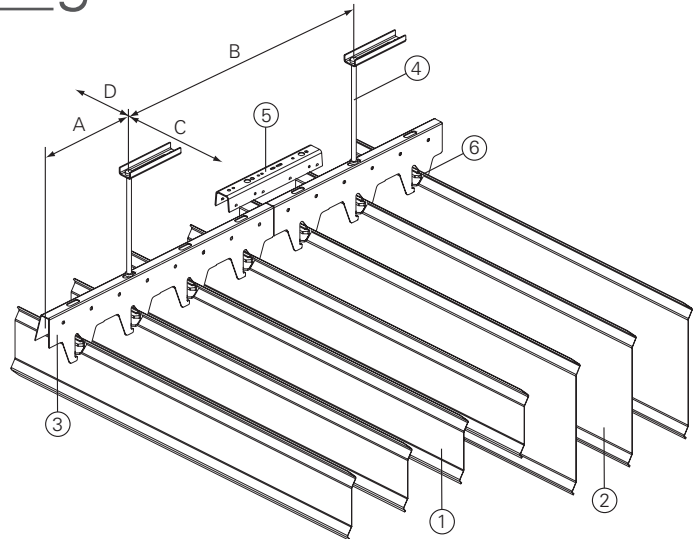
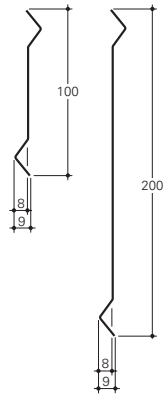
**HunterDouglas**

# V100/V200 Baffle ceiling

## PANELS

The Luxalon® V100/V200 Baffle ceiling system is a lightweight, floating ceiling. The panels (1 & 2) come in either 100 mm high (V100) or 200 mm high (V200) and clip easily to the carrier (3). The stove-enamelled panels and carriers are lightweight and recyclable. Panels are made to measure and available in any length up to 6000 mm.

Select from a white or black panel carrier (3). The carrier is made of 0.95 mm thick stove-enamelled aluminium, and includes prongs to accommodate the panels in a 100 mm, 150 mm, or 200 mm module. The carriers have a standard length of 5000 mm and are connected using the carrier splice (5). The clear PVC fixing clips (6) are used to secure the V100 panels in exterior applications.

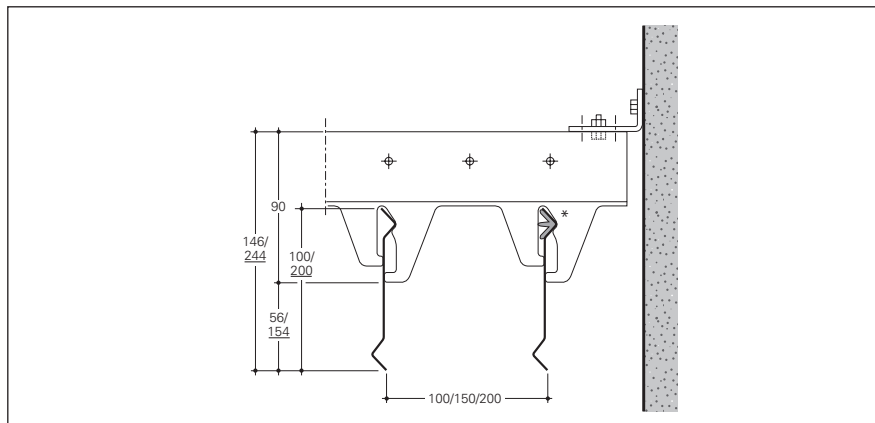


- 1 = V100 panel
- 2 = V200 panel
- 3 = carrier
- 4 = hanger
- 5 = carrier splice
- 6 = panel fixing clip

## CONSTRUCTION DETAILS

In exterior applications, use the panel fixing clip to secure the panels (V100 only).

Lighting, sprinklers, smoke detectors, speaker systems, security systems, and air conditioning will function efficiently when installed above the open ceiling.



## MAXIMUM SPANS

The maximum distance between the carriers on both sides of a joint should be 1,220 mm. The minimum distance is 220 mm. The minimum clearance between the panel ends should be 20 mm.

Module (mm)	Carrier span (mm)				Panel span (mm)		
	A	2 fix. points		3 or more fix. points		C	D*
		B	B	B	B		
100	500	V100 1700	V200 1450	V100 2000	V200 1700	2100	600
150	500	1850	1600	2200	1900	2100	600
200	500	2000	1750	2350	2050	2100	600

\* Min. 100 mm

## PLENUM ACCESSIBILITY

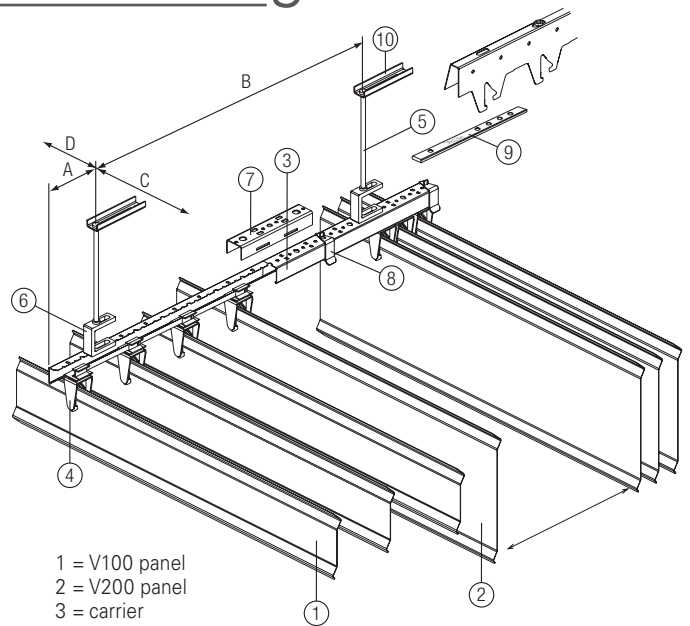
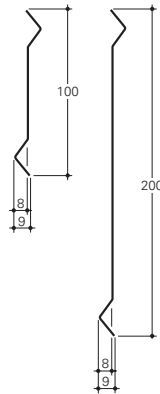
There is no need to remove the panels to fully access the plenum. However, each panel in the Luxalon® V100/V200 Baffle ceiling system can be easily removed and replaced by hand.

# V100/V200 Sliding Baffle ceiling

## PANELS

The Luxalon® V100/V200 Sliding Baffle ceiling system is a lightweight, floating ceiling that features movable panels. Sections of ten panels slide back to improve access to the plenum. The panels (1 & 2) are either 100 mm high (V100) or 200 mm high (V200) and are easily clipped into the panel brackets (4). The stove-enamelled aluminium panels are lightweight and recyclable. Panels are made to measure and available in any length up to 4000 mm.

The black U-shaped carrier (3) is made of 0.6 mm thick stove-enamelled steel. Panel bracket assemblies, consisting of ten panel brackets (polycarbonate) and nine steel spacers, are available in 100, 150, and 200 mm modules. These brackets are easily slid into the carriers. The carriers come in a standard length of 5000 mm and are connected using the carrier splice (7).

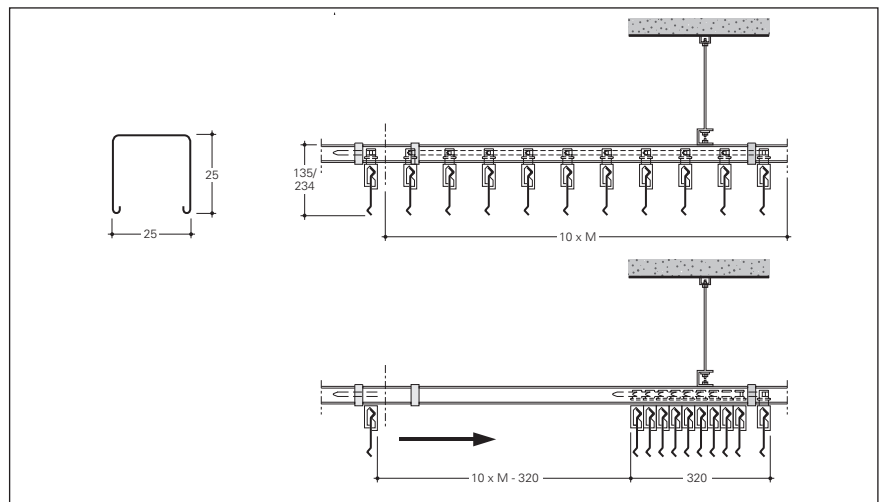


- 1 = V100 panel
- 2 = V200 panel
- 3 = carrier
- 4 = panel bracket
- 5 = hanger
- 6 = U-bracket
- 7 = carrier splice
- 8 = panel stop
- 9 = connecting piece
- 10 = suspension element

## CONSTRUCTION DETAILS

The sliding baffle ceiling system and the standard baffle ceiling system can be installed together in one project. The connecting piece (9) connects the sliding carrier to the fixed carrier.

Panel stops (8) lock the panels in place.



## MAXIMUM SPANS

	Carrier span (mm)		Panel span (mm)	
	A	B	C	D*
All modules	> one panel module	1700	1500	500

\* Min. 300 mm

## PLENUM ACCESSIBILITY

The sliding system allows for easy access to the plenum. If necessary, each panel is demountable and replaceable by hand.

# Specifications

## DIMENSIONS

Panels from 250-1000 mm and > 6000 mm are available on request. Panels longer than 4000 mm can not be used in a sliding baffle ceiling.

Panel	Height	Min. length	Max. length Baffle Ceiling	Max. length Sliding Baffle
V100	100	1000	6000	4000
V200	200	1000	6000	4000

## WEIGHTS IN KG/M<sup>2</sup>

Weights are based on a system installed on three or more fixing points.

Module in mm	V100 panels incl. aluminium carrier	V200 panels incl. aluminium carrier
100	2.1	3.9
150	1.5	2.6
200	1.1	2.0

## MATERIAL REQUIREMENT PER M<sup>2</sup> BAFFLE CEILING SYSTEM

Other accessories depend on individual project requirements. Figures are based on maximum spans, and the use of three or more fixing points.

	M100	M150	M200
Panels	10 lm	6.67 lm	5 lm
Carriers	0.48 lm	0.48 lm	0.48 lm
Carrier splice	0.10 pcs	0.10 pcs	0.10 pcs
Suspension V100	0.24 pcs	0.22 pcs	0.20 pcs
Suspension V200	0.28 pcs	0.25 pcs	0.23 pcs
Panel fixing clip	4.8 pcs	3.2 pcs	2.4 pcs

## MATERIAL REQUIREMENT PER M<sup>2</sup> SLIDING BAFFLE CEILING SYSTEM

Other accessories depend on individual project requirements. Figures are based on maximum spans, and the use of three or more fixing points.

	M100	M150	M200
Panels	10 lm	6.67 lm	5 lm
Carriers	0.67 lm	0.67 lm	0.67 lm
Carrier splice	0.13 pcs	0.13 pcs	0.13 pcs
Suspension	0.4 pcs	0.4 pcs	0.4 pcs
Panel brackets	0.67 pcs	0.44 pcs	0.33 pcs
Panel stop	1.34 pcs	0.88 pcs	0.67 pcs

## MATERIAL SPECIFICATIONS

### Quality

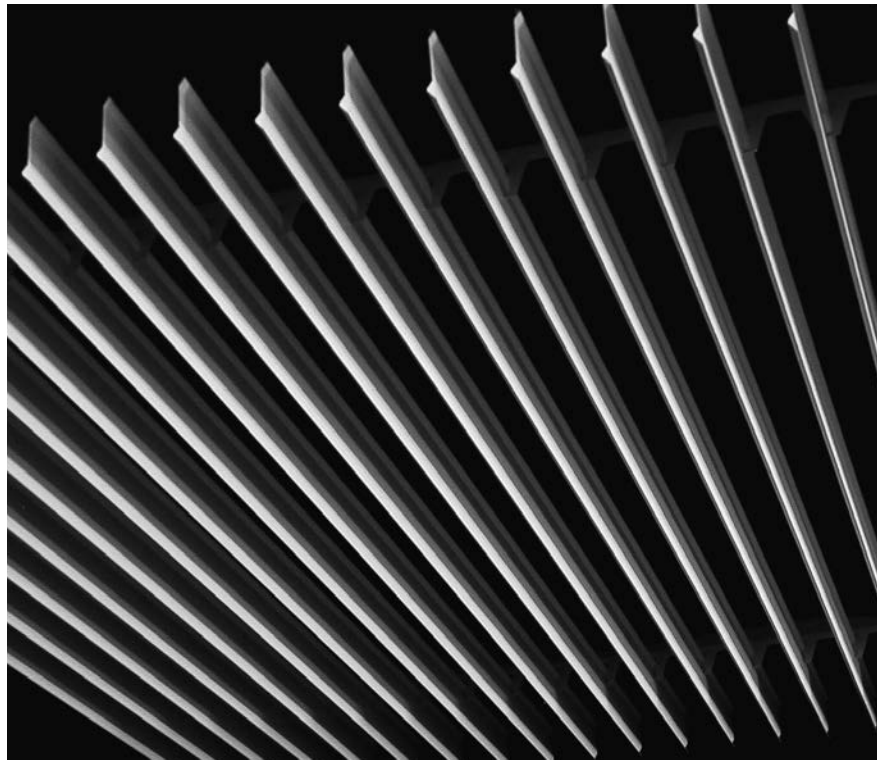
The roll formed aluminium V100/V200 panels and extruded aluminium Deco elements are durable and fully recyclable.

### Coating

The tough and durable polyester finish, in a nominal thickness of approximately 20 microns, is stove-enamelled in a continuous coil-coating process. This ensures uniform coating thickness and absolute adhesion.

### Luxalon® colour range

The Luxalon® V100/V200 colour range includes a wide variety of colours and finishes. See the Luxalon® colour chart for all available options. All RAL and NCS colours are also available on request.



V100 Baffle Ceiling system

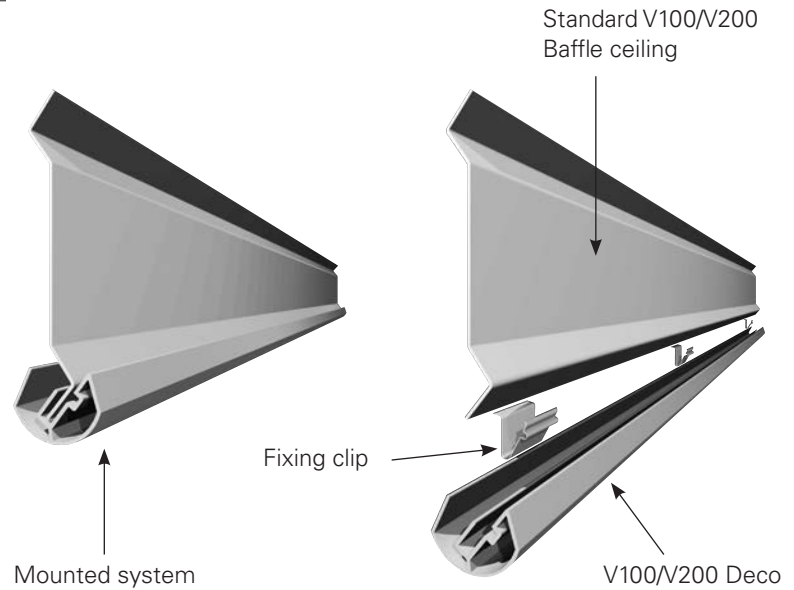
# V100/V200 Deco

## ELEMENTS

Luxalon® V100/V200 Deco elements are wooden or aluminium profiles that open up new design possibilities for baffle ceilings. Deco elements are available in stained solid wood, powder-coated, or anodized extruded aluminium. These elements are easily fixed to the baffle ceiling. You can use a standard profile design or customize your own.

## INSTALLATION DETAILS

The basis consists of a standard V100/V200 ceiling with aluminium carriers. Specially designed stainless steel fixing clips make it easy to clip V100/V200 Deco to the panels.



## COLOURS AND FINISHES

Deco elements come standard in anodized aluminium or in RAL 9010. All other RAL colours are available on request. Standard Deco wood stains are Beech and Cherry, ask your local Hunter Douglas specialist for additional options.

## TECHNICAL DETAILS FIXING CLIP

- Main clip distance is 700 mm in equal distances
- Minimum is 2 clips per panel
- Clip can be used as splice
- Deco profile can be used over multiple panels

## PANEL AND CARRIER SPAN V100 DECO

Module (mm)	Carrier span (mm)				Panel span (mm)
	2 fixing points		3 or more fixing points		
	V100 + Wood deco (max. 167 g/m)	V100 + Alu deco (max. 323 g/m)	V100 + Wood deco (max. 167 g/m)	V100 + Alu deco (max. 323 g/m)	
100	1350	1200	1850	1650	1600
150	1600	1400	2100	1850	1600
200	1750	1550	2350	2050	1600

## PANEL AND CARRIER SPAN V200 DECO

Module (mm)	Carrier span (mm)				Panel span (mm)
	2 fixing points		3 or more fixing points		
	V200 + Wood deco (max. 167 g/m)	V200 + Alu deco (max. 323 g/m)	V200 + Wood deco (max. 167 g/m)	V200 + Alu deco (max. 323 g/m)	
100	1200	1100	1650	1500	1600
150	1400	1250	1850	1700	1600
200	1550	1400	2050	1900	1600

*In case of higher profile weights other carrier spans do apply.*

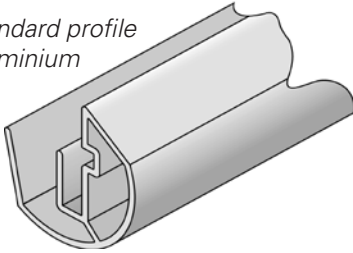


# Designs

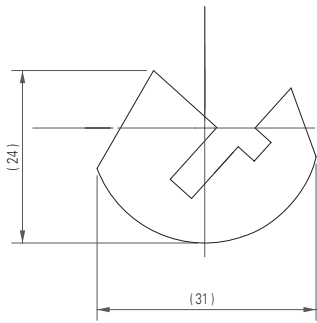
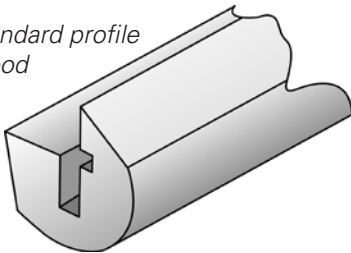
## STANDARD DESIGN

The standard Deco design is a quarter round shape in aluminium or wood.

Standard profile  
Aluminium



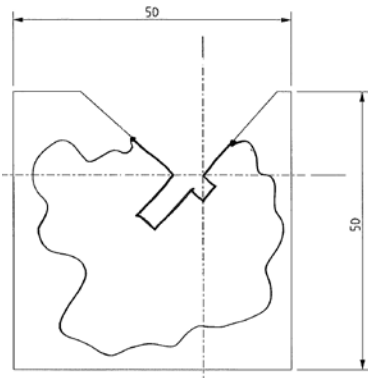
Standard profile  
Wood



Dimensions Standard profile

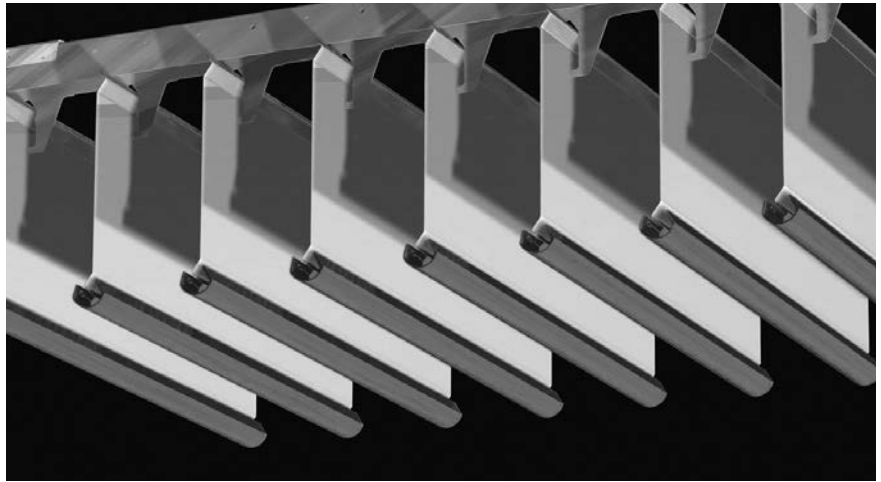
## CUSTOM DESIGN

To make your own unique design in either aluminium or wood, use a standard mounting groove on the profile where the fixing clip is attached.

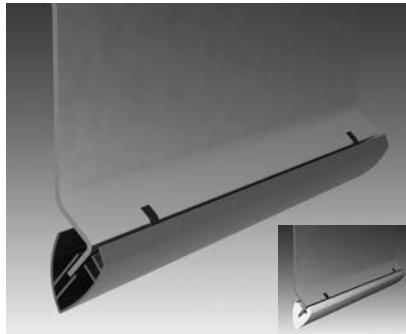


This will ensure that the Deco element fits the V100/V200 panels. The area around the fixing clip invites individual designs that achieve creative solutions.

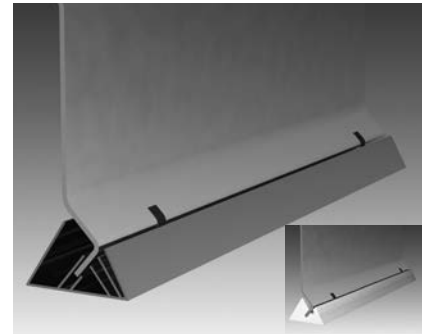
## V100/V200 Baffle ceiling system with Deco



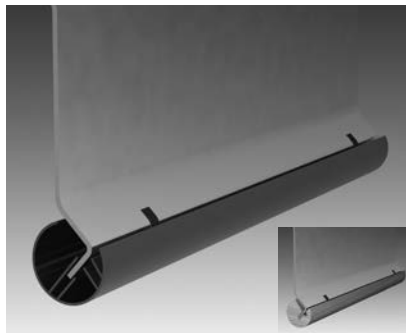
## Custom design examples



Deco Fat Curved, aluminium



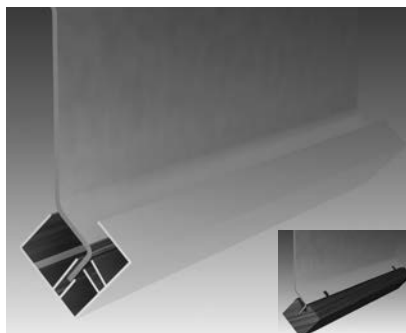
Deco Pyramid, aluminium



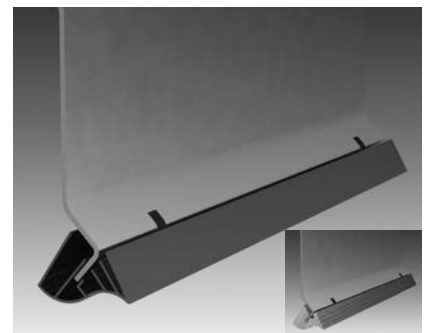
Deco Round, aluminium



Deco Tooth, aluminium



Deco Square, aluminium



Deco Wave, aluminium



# Material specifications

## - Fire behaviour

Luxalon® metal suspended ceilings are classified incombustible and will therefore not contribute to possible fires. When ceilings however need to protect the structural integrity of the building, Luxalon® ceilings offer a range of practical and tested solutions with regards to fire resistance and fire stability. Further information is available on request.



## - Environment

We are dedicated manufacturing a sustainable product. Our paint and aluminium melting processes are considered to be one of the industry standards in terms of clean production processes. All aluminium products are 100% recyclable at the end of their lifecycle.

Unprecedented Protection  
**LUXACOTE®**  
for exterior application

## - Exterior use

Our proprietary coil-coating process ensures ceiling panels get a superb finish. Independent tests have proven the excellent performance characteristics of Luxacote®. The topcoat contains a solid UV filter that guarantees perfect colourfastness and gloss stability. The topcoat also offers better resistance against scratches with a structure that resists and masks any minor damage that may occur during installation, resulting in a high abrasion resistance. The alloy and pre-treatment also offers optimal resistance to corrosion.

## - Colour range

The standard Hunter Douglas interior and exterior colour range for Luxalon® Linear ceiling systems includes several different colours and finishes. See colour chart. Any other (RAL or NCS) colour is available on request.

## - Tolerances

As a member of the Technical Association of Industrial Metal Ceiling Manufacturers (TAIM), Hunter Douglas complies with tolerance criteria as specified in the TAIM Technical Manual for Metal Ceilings .



Project: Rosengårdcenter Rød Gade, Denmark

## Exterior use: (All linear ceilings)

Exterior building applications cope with severe conditions like wind, rain, snow, dirt, vandalism and UV light. Our special aluminium alloy, high-quality surface treatments featuring Luxacote® and our windproof systems ensure durability in applications like canopies, shopping centres and railway/underground stations.

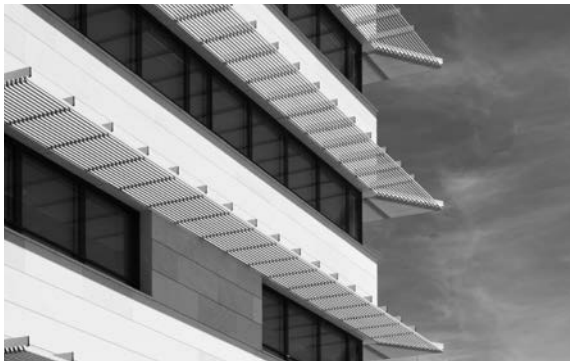
- Box-shape, bevel-edge and round-edge panels
- Special alloy of corrosion-resistant aluminium
- Luxacote® coating system resistant to UV and scratches and is rain-, dirt- and snow-proof
- Certified for wind loads

# HUNTER DOUGLAS

## ARCHITECTURAL

**For more than 60 years, we've been fortunate enough to help turn countless innovative sketches into innovative buildings. Architects, designers, investors and contractors from around the world have taken advantage of Hunter Douglas' unmatched product development, service and support. Chances are, you've seen more of Hunter Douglas than you think.**

Major operation centres in Europe, North America, Latin America, Asia and Australia, we've contributed to thousands of high-profile projects, from retail and commercial facilities to major transit centres and government buildings.



▲ SUN LOUVRES



▲ CEILINGS

FAÇADES ▼



Not only are the world's architects and designers our partners, they're our inspiration. They continue to raise the bar for excellence. We create products that help bring their visions to life: Ceilings, Sun Louvres and Façades.

Designed  
to work for you

© Registered trademark of Hunter Douglas - a HunterDouglas® product Pats. & Pats. Pend. - Technical data subject to change without notice. © Copyright Hunter Douglas 2018. No rights can be derived from copy, text pertaining to illustrations or samples. Subject to changes in materials, parts, compositions, designs, versions, colours etc., even without notice. **MX073L00**



**HunterDouglas**   
Architectural

### ARCHITECTURAL SERVICES

We support our business partners with a wide range of technical consulting and support services for architects, developers and installers. We assist architects and developers with recommendations regarding materials, shapes and dimensions, colours and finishes.

We also help with the creation of design proposals, visualisations, and installation drawings. Our services to installers range from providing detailed installation drawings and instructions to training installers and advising on the building site.



Hunter Douglas adopts the cradle to cradle (C2C) product philosophy to the design of products that fit the circular paradigm. Our products are designed for longevity, using materially healthy technical nutrients that can be reused at end of life as a high-quality source for something new.

*Cradle to Cradle Certified™* is a certification mark licensed by the Cradle to Cradle Products Innovation Institute.

## Learn More

- Contact our Sales office
- [www.hunterdouglasarchitectural.eu](http://www.hunterdouglasarchitectural.eu)



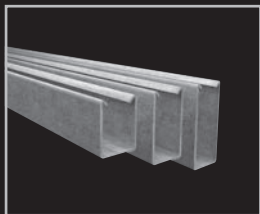
Printed on  
EU Ecolabel  
certified paper



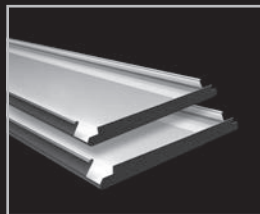
*Hunter Douglas products and solutions are designed to improve indoor environmental quality and conserve energy, supporting built environments that are comfortable, healthy, productive, and sustainable.*



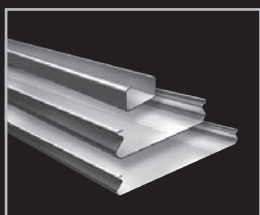
*Our paint and aluminium melting processes are considered to be one of the industry standards in terms of clean production processes. All aluminium products are 100% recyclable at the end of their lifecycle.*



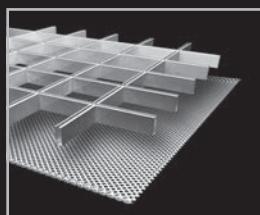
HeartFelt® Linear



Wide Panel



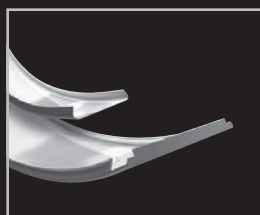
Linear



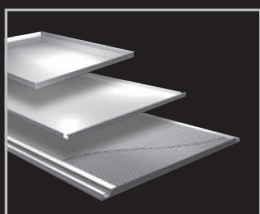
Cell | Stretch metal



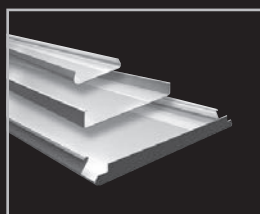
Baffles



Curved



Tiles | Planks | XLnt



Exterior

Belgium  
Bulgaria  
Croatia / Slovenia  
Czech Republic  
Denmark  
France  
Germany  
Greece  
Hungary  
Italy  
The Netherlands  
Norway  
Poland  
Portugal  
Romania  
Russia  
Serbia  
Slovakia  
Spain  
Sweden  
Switzerland  
Turkey  
United Kingdom  
Africa  
Middle East  
  
Asia  
Australia  
Latin America  
North America

**Hunter Douglas Architectural**

Piekstraat 2  
P.O. Box 5072 - 3008 AB Rotterdam  
The Netherlands  
Tel. +31 (0)10 - 486 99 11  
Fax +31 (0)10 - 484 79 10  
[www.hunterdouglasarchitectural.eu](http://www.hunterdouglasarchitectural.eu)