

\* Secure the splice at one side with sealant



Hunter Douglas® Facades are, by utilising high quality materials and extensively tested coatings, easy to maintain. When cleaning is required, it is advised to use a slightly damp, non-linting and non-abrasive cloth.

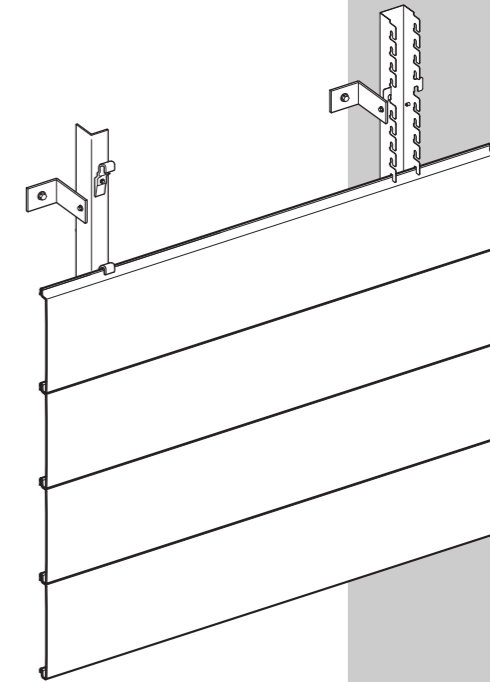
A mild neutral (pH=7) cleaning agent may be used if necessary. Never use aggressive cleaning agents since they will cause damage to the panels. Before cleaning the ceiling always try the chosen method of cleaning on a non-visible part of the panel.

### General remarks

- Be aware that the edges of the panels can be sharp. Use appropriate protection while handling the panels.
- This product shall only be used for its intended purpose.
- Hunter Douglas Construction Elements- Leek The Netherlands, shall be consulted regarding the admissible spans before commencement of the installation.
- The installer has to execute the installation with appropriate care to avoid scratches, damages, etcetera.
- Protective foils on the panels may only be removed after finishing of the installation.
- In case of extreme weather conditions it may be necessary to temporarily halt the installation. For advise please consult Hunter Douglas Construction Elements- Leek The Netherlands.
- In any case of doubt concerning execution, detailing or installation, please consult Hunter Douglas Construction Elements- Leek The Netherlands.
- Anchor bolts normally are not part of the supply package of Hunter Douglas Construction Elements. For information about and execution of the anchors please consult the supplier of the anchor bolts.

## Multipanel Facade

T-panel 200-600  
U-panel 200-600



We have endeavoured to design these instructions to assist a trained cladding professional with the mounting and installation of a Hunter Douglas® facade. We accept no responsibility for poor workmanship, failure to comply with these instructions, improper installation or installation by someone other than a trained ceiling professional.

revision 02

**HunterDouglas**

FAÇADES

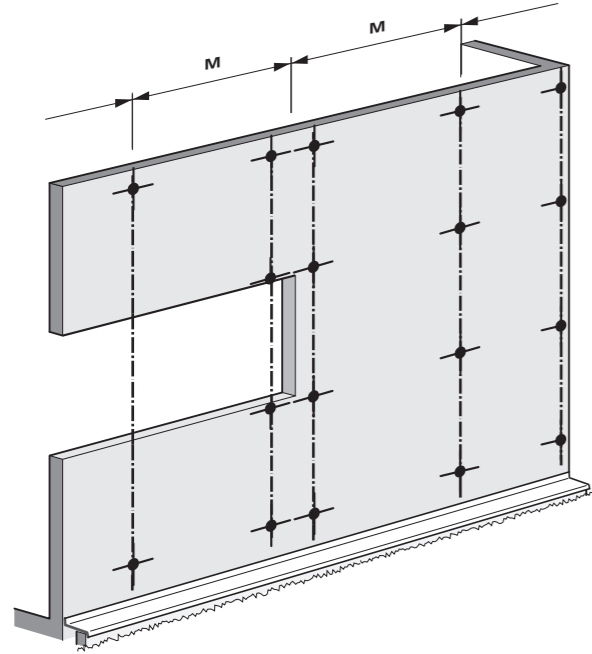
[www.hunterdouglascontract.com](http://www.hunterdouglascontract.com)

**HunterDouglas**

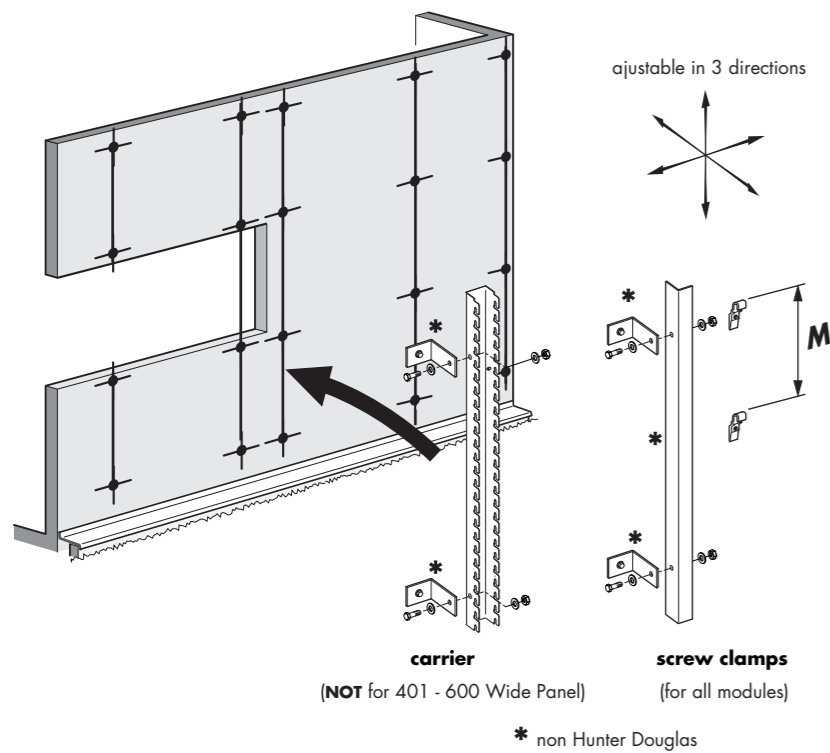
FAÇADES

**1**

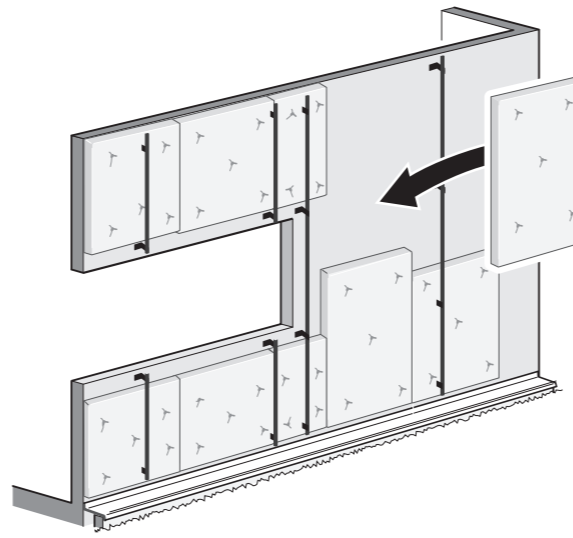
Marking module-lines and fixing points

**2**

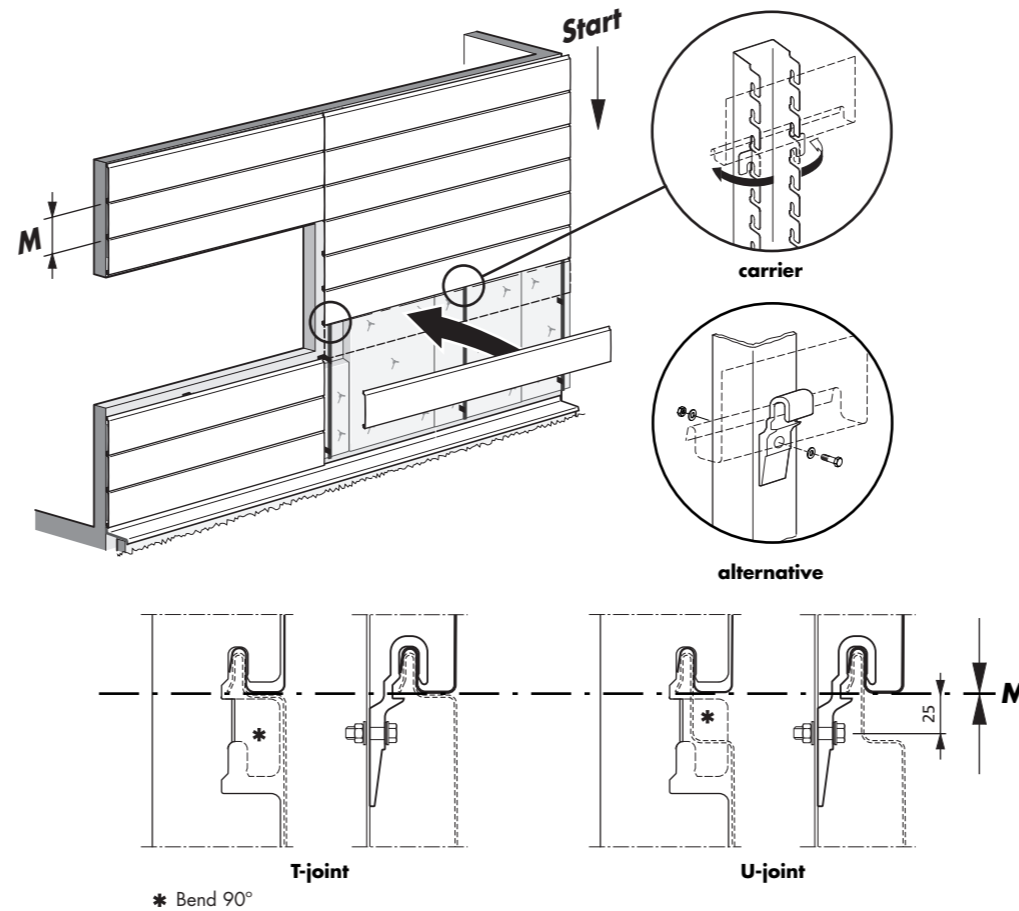
Installing the carriers / sub - construction

**3**

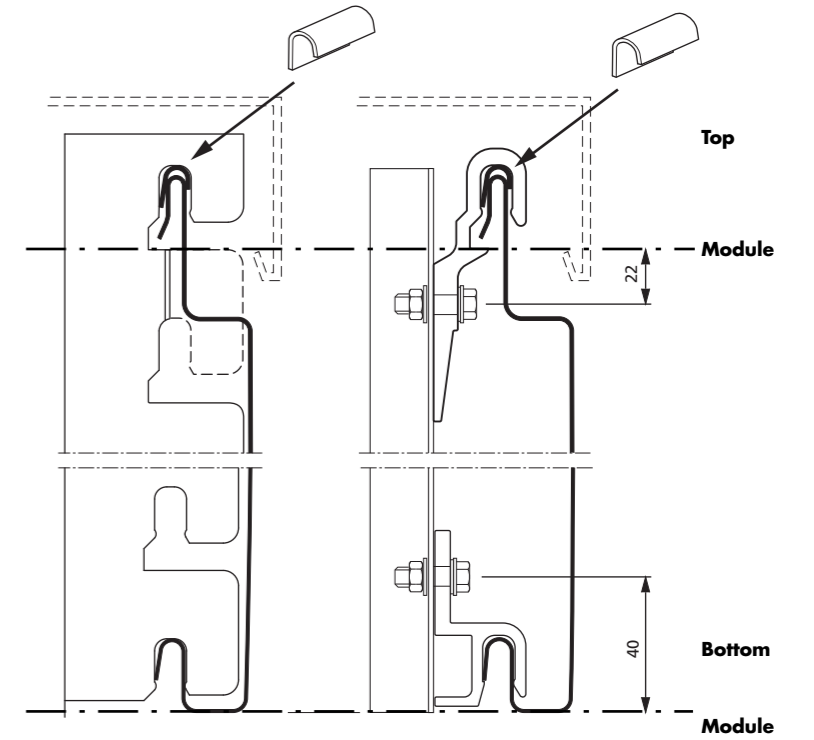
Installing the insulation (follow instructions of the supplier)

**4**

Installing the panels (horizontal panel-direction)

**5**

Installing / fixing top panels - bottom panel

**6**

Installing and locking the panels (vertical panel-direction)

