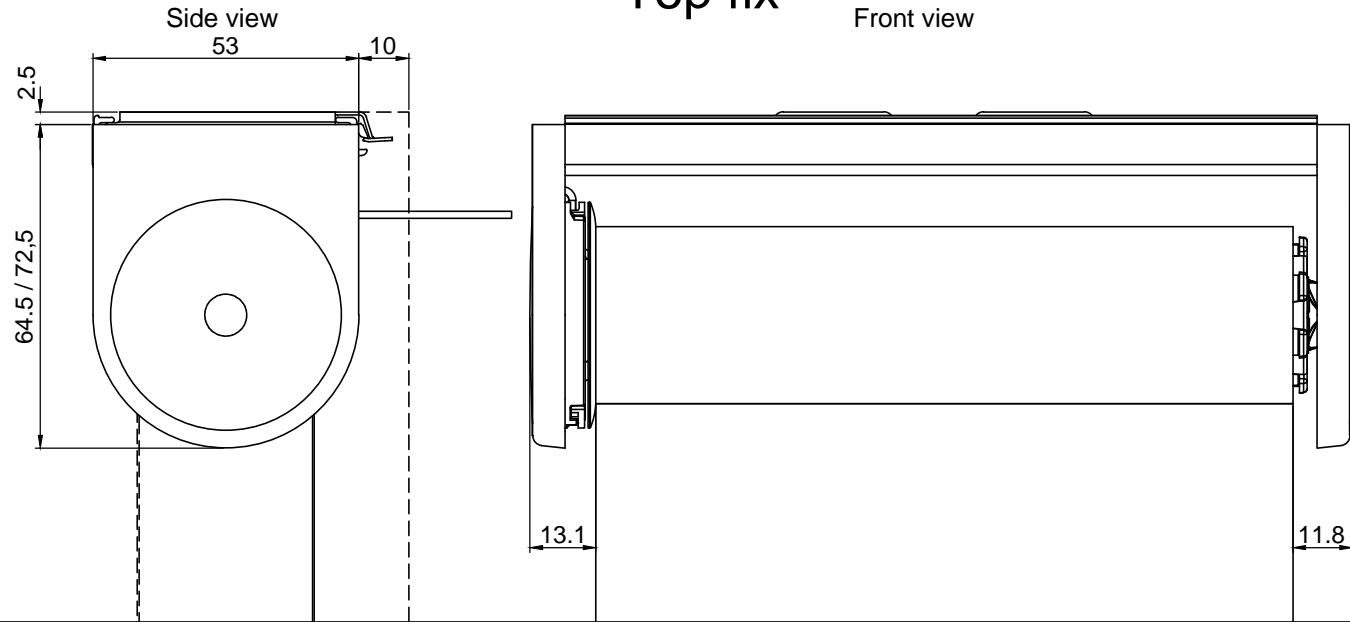


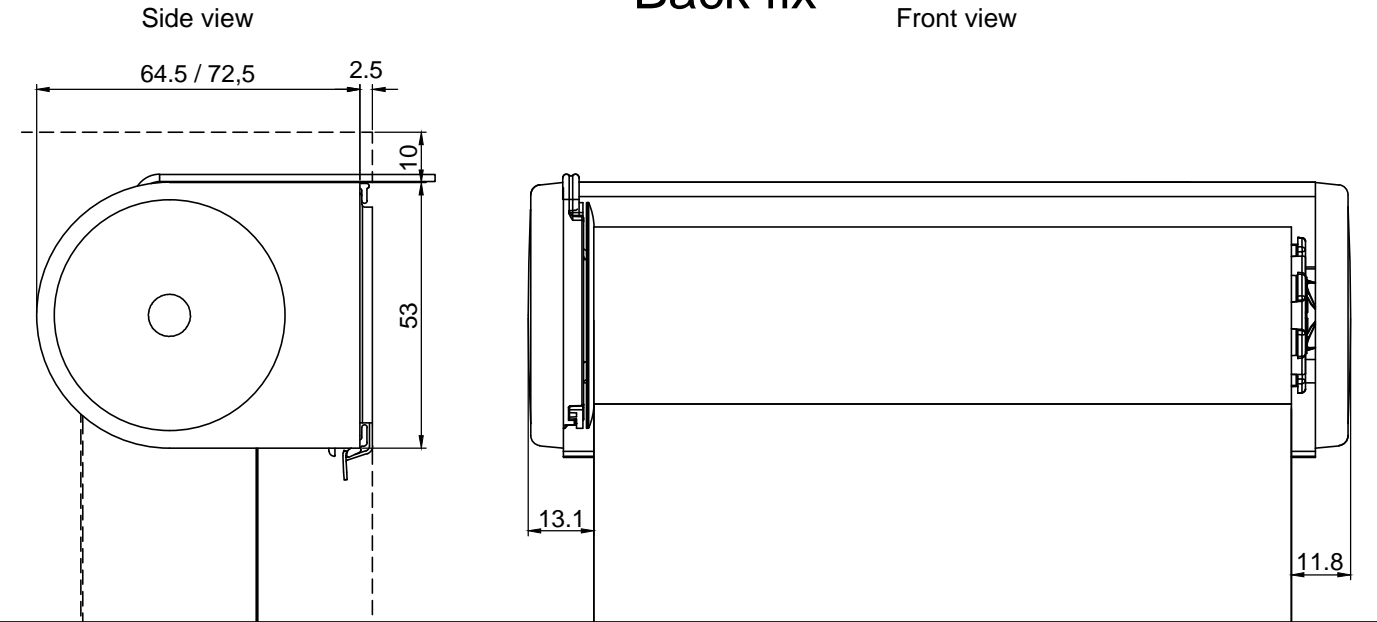
# Top fix

Front view



# Back fix

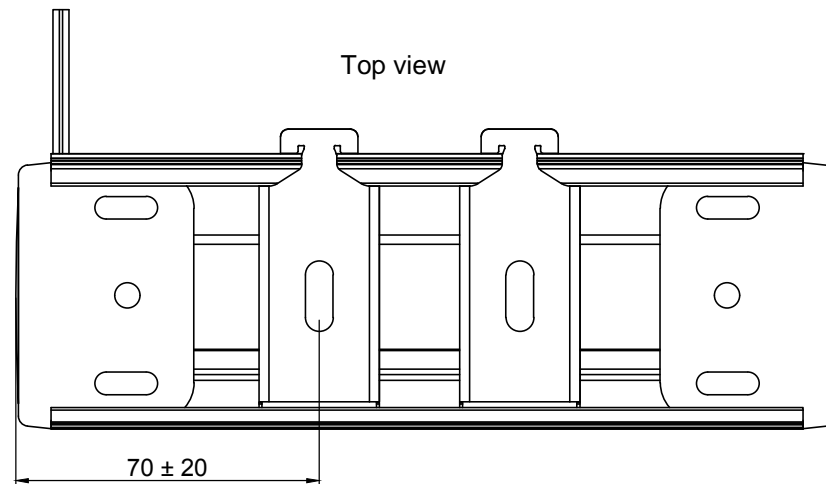
Front view



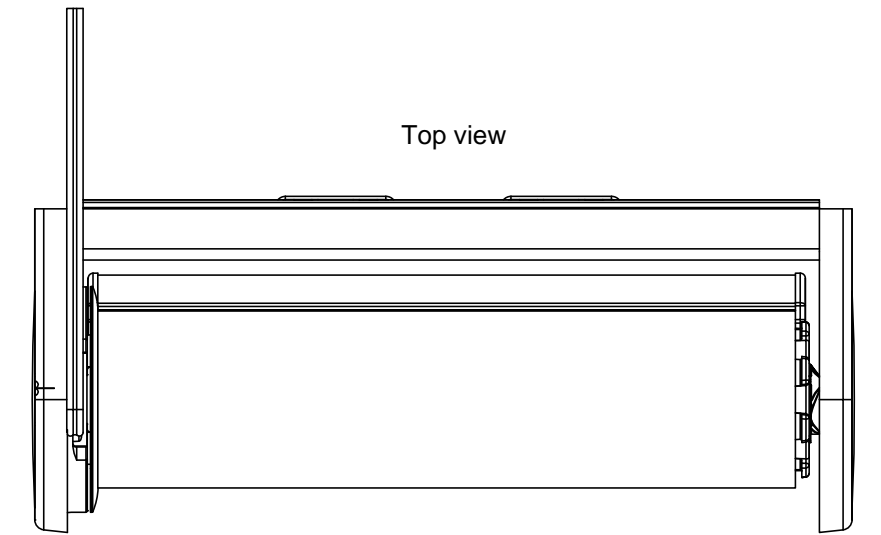
front roll (optional)

front roll (optional)

Top view



Top view



# HunterDouglas

HUNTER DOUGLAS EUROPE B.V. Architectural Projects

Window Coverings | Ceilings | Sun Control | Façades

Format: A3 | Scale: 1 : 1,5 | Date: 10-4-2015

Description: 426 EOS S w mounting profile motor operated

Product: Roller Blind EOS 500 | Series: 5-420

Drawing number: EOS 5-426

Revision: 00