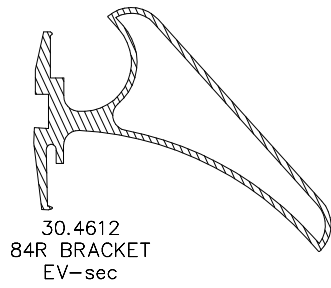
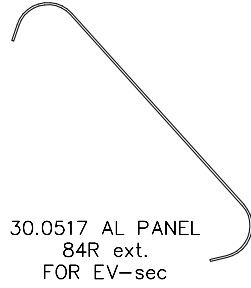


SUN CONTROL S-LOUVRES

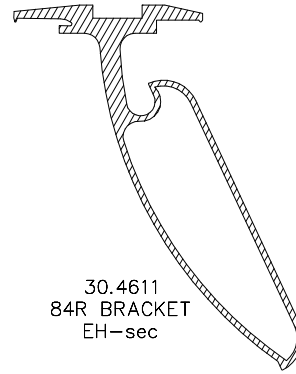
TYPE 84R SLR



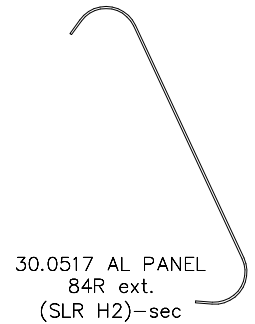
30.4612
84R BRACKET
EV-sec



30.0517 AL PANEL
84R ext.
FOR EV-sec

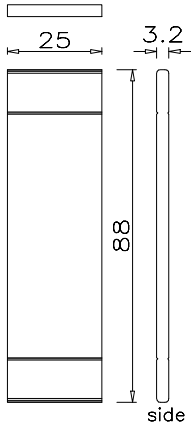


30.4611
84R BRACKET
EH-sec

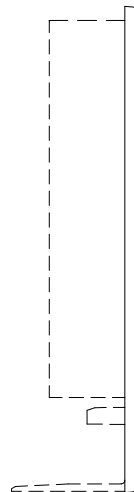


30.0517 AL PANEL
84R ext.
(SLR H2)-sec

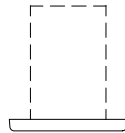
SPACER-top



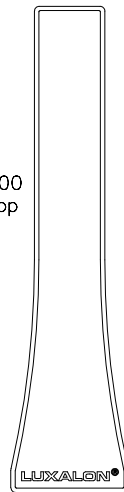
30.4689
88mm. SPACER
E SMALL-front



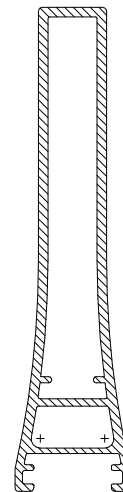
30.5010 SLR 100
END CAP M-side



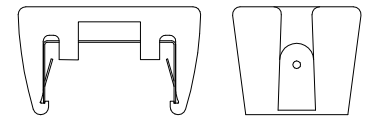
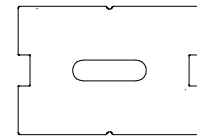
30.5010 SLR 100
END CAP M-top



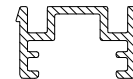
30.5010 SLR 100
END CAP M-front



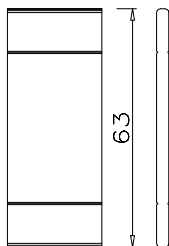
30.4605 SLR
100-sec



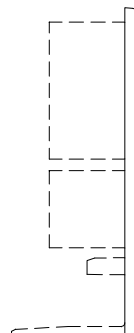
30.4610 Wall bracket ass SLR-10



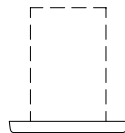
30.4606 SLR-10
support v2



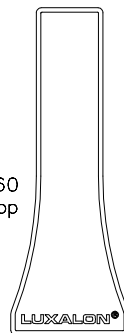
30.4664
63mm. SPACER
E SMALL-front



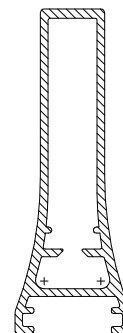
30.5006 SLR 60
END CAP M-side



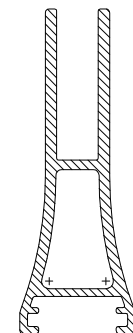
30.5006 SLR 60
END CAP M-top



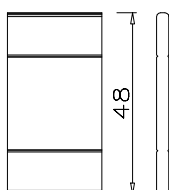
30.5006 SLR 60
END CAP M-front



30.4603 SLR
60-sec



30.4604 SLR
60V-sec



30.4649
48mm. SPACER
E SMALL-front

DRWG. No.
SC-SL-84R-SLR-2D-01

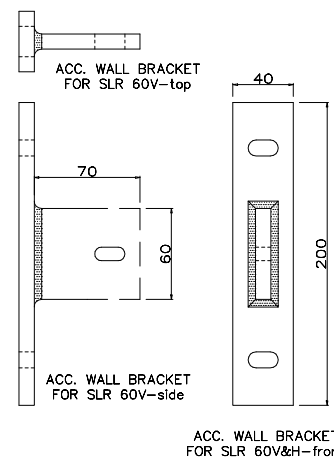
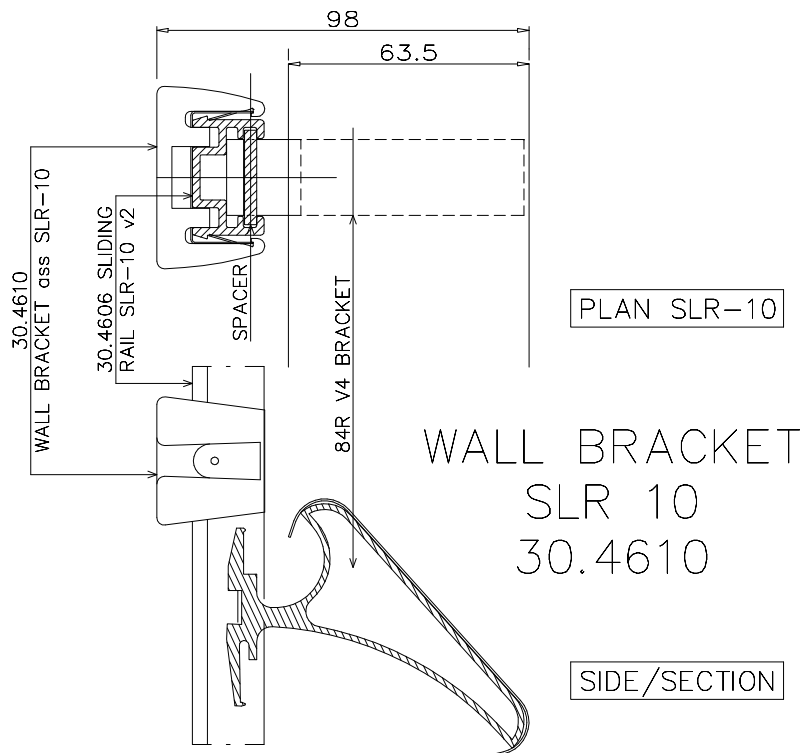
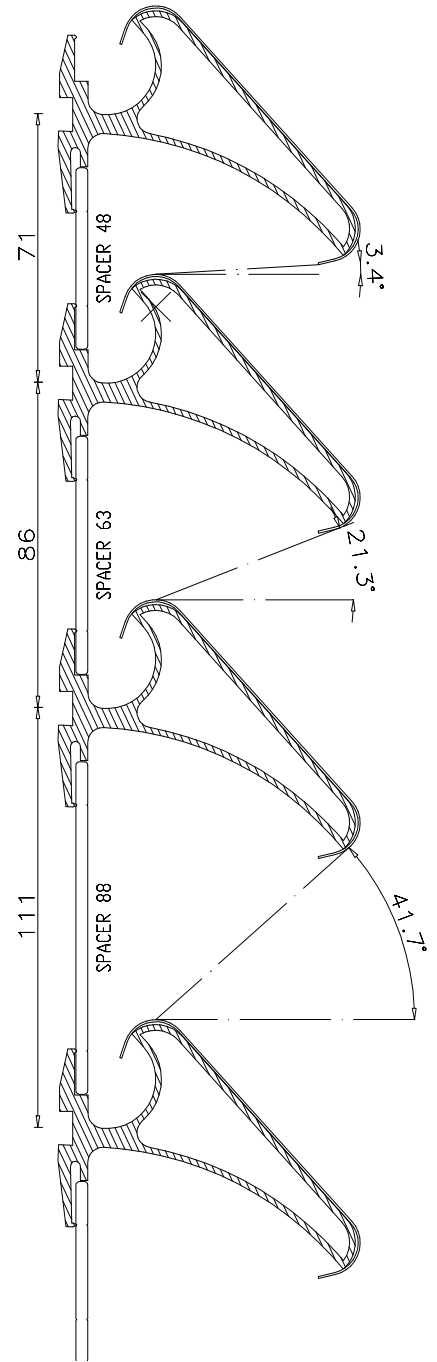
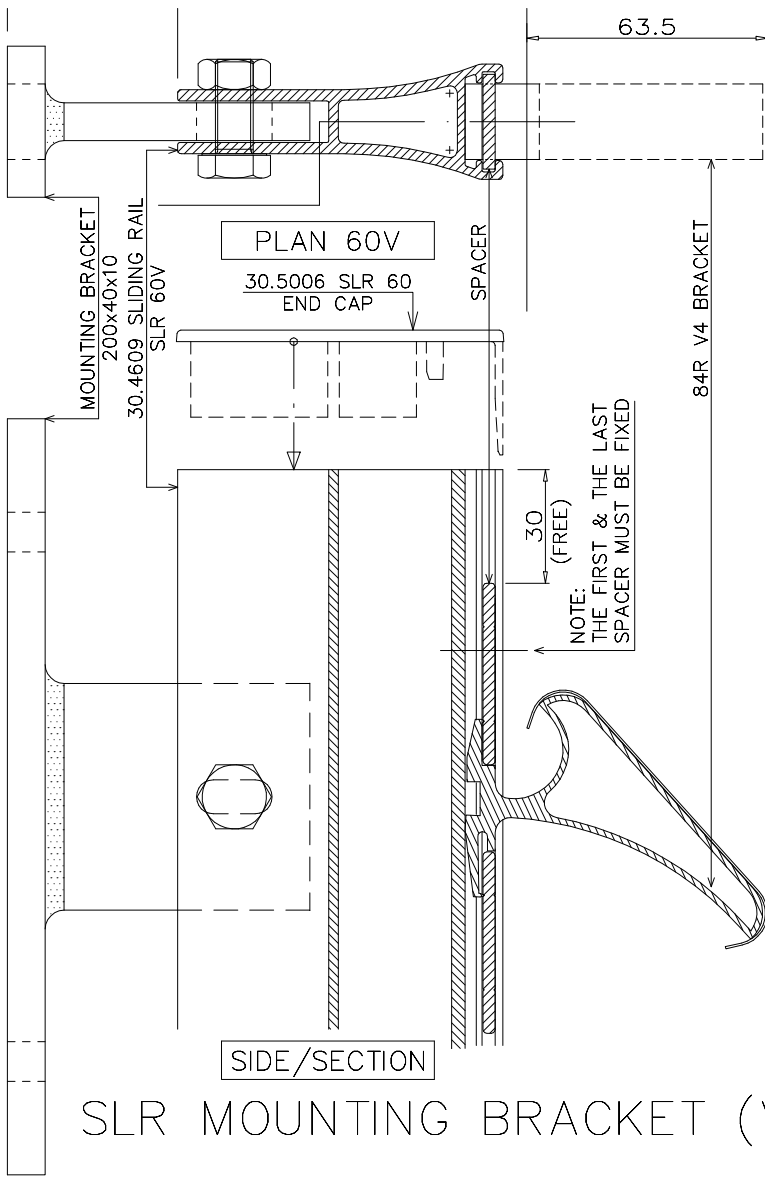
SCALE:
1:2

REV.
B

DATE:
08-04-14

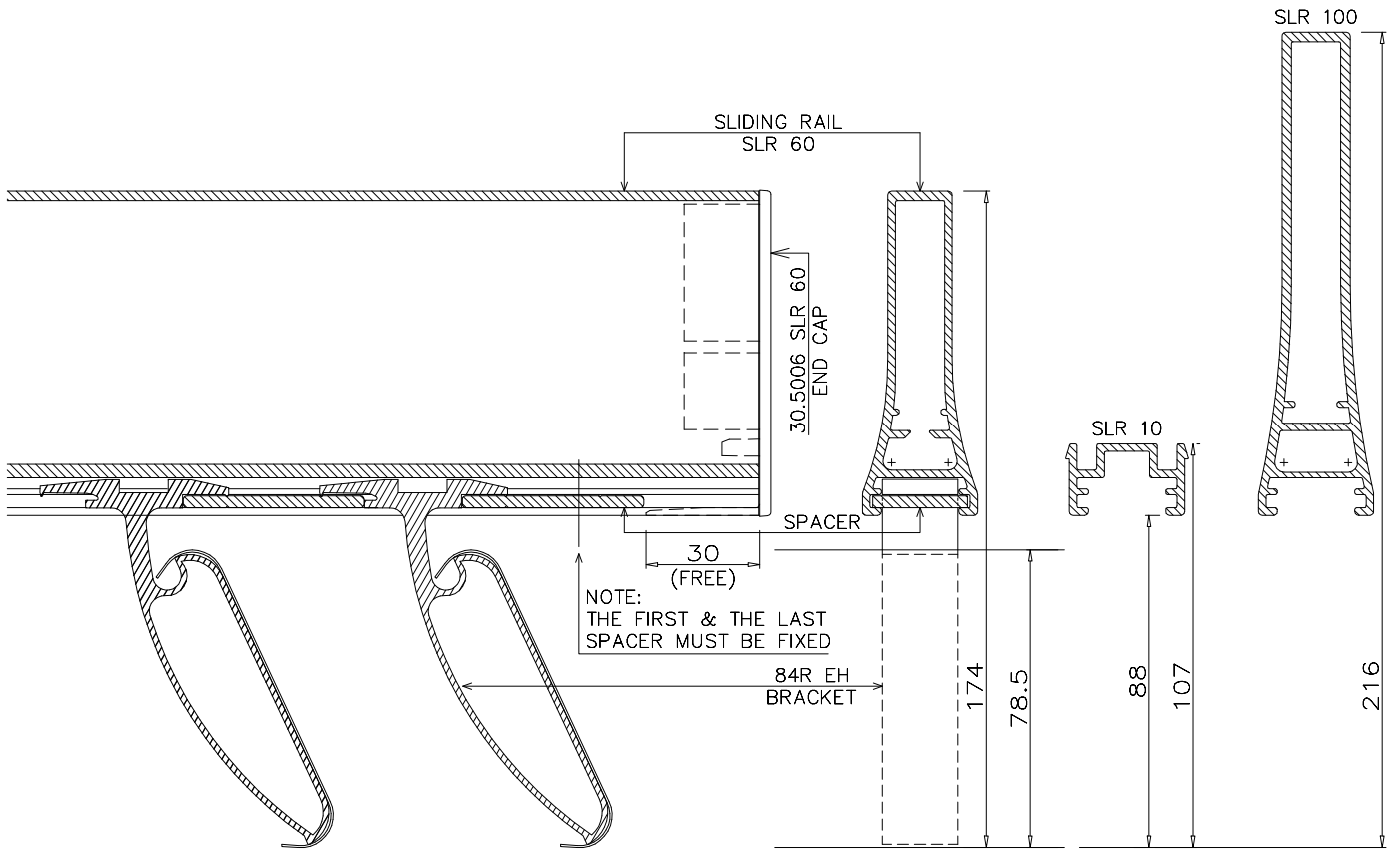
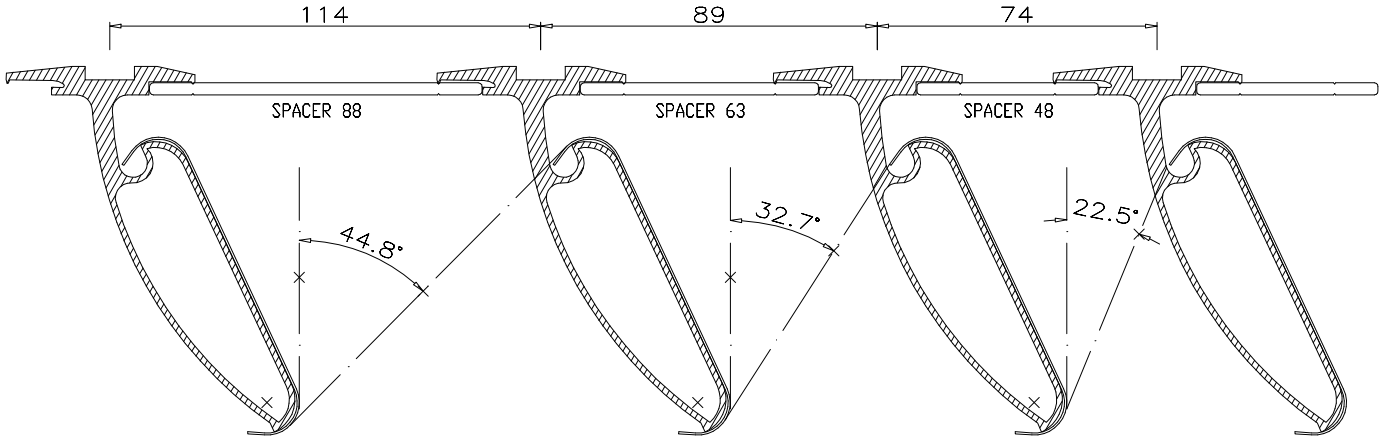
SIZE:
A4

SUN CONTROL S-LOUVRES
TYPE 84R SLR



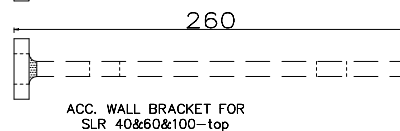
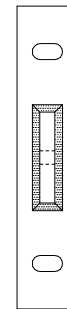
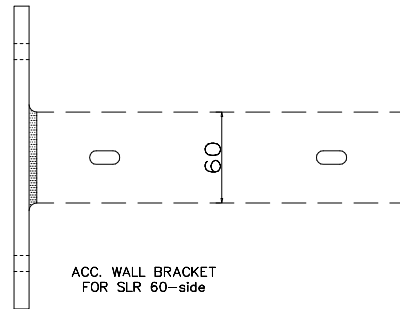
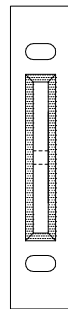
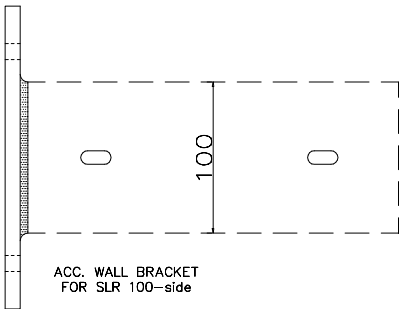
DRWG. No. SC-SL-84R-SLR-2D-02	SCALE: 1:2	REV. B	DATE: 08-04-14	SIZE: A4
----------------------------------	---------------	-----------	-------------------	-------------

SUN CONTROL S-LOUVRES
TYPE 84R SLR



ACC. WALL BRACKET
FOR SLR 100-front

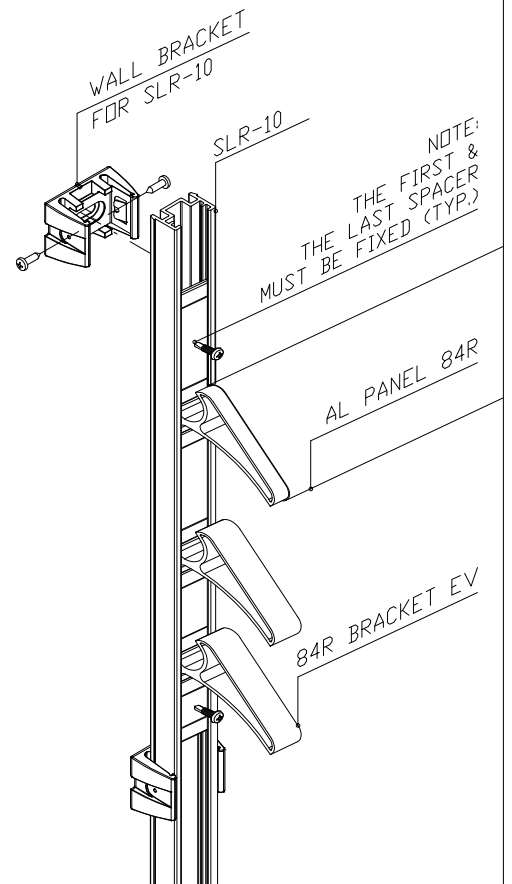
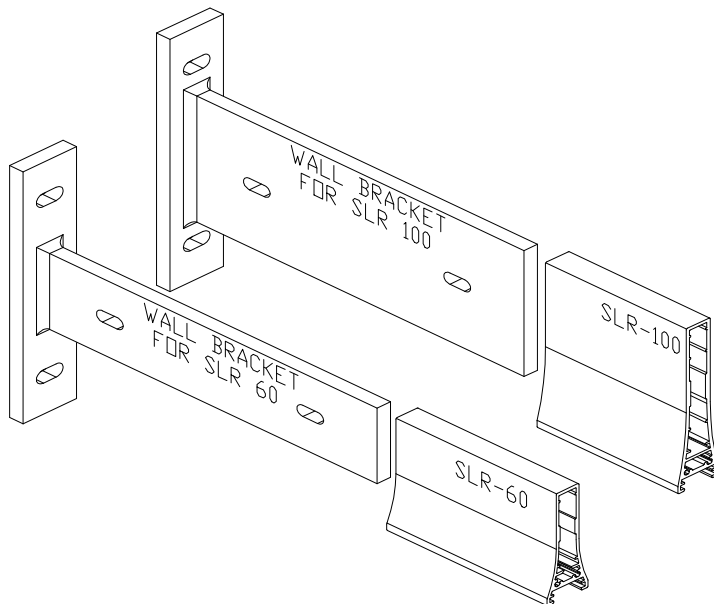
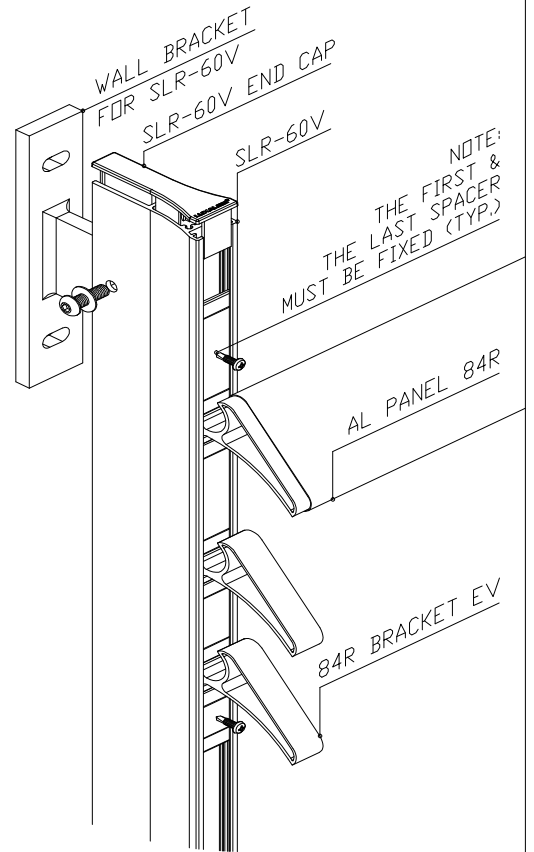
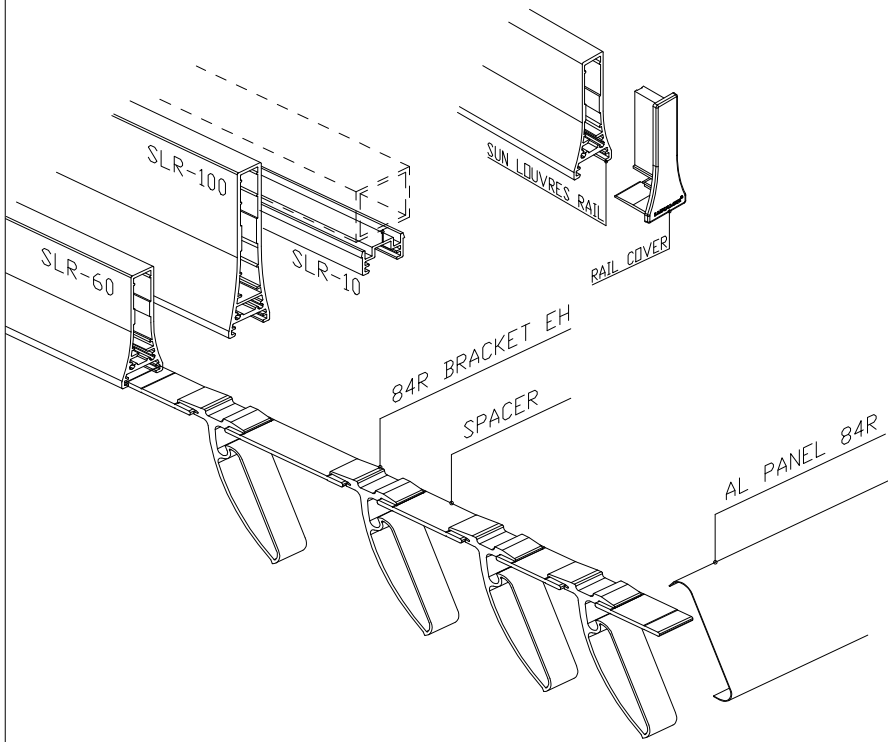
ACC. WALL BRACKET
FOR SLR 60V&H-front



DRWG. No. SC-SL-84R-SLR-2D-03	SCALE: 1:2	REV. B	DATE: 08-04-14	SIZE: A4
----------------------------------	---------------	-----------	-------------------	-------------

SUN CONTROL S-LOUVRES

TYPE 84R SLR



DRWG. No.
SC-SL-84R-SLR-2D-04

SCALE:
1:2

REV.
B

DATE:
08-04-14

SIZE:
A4