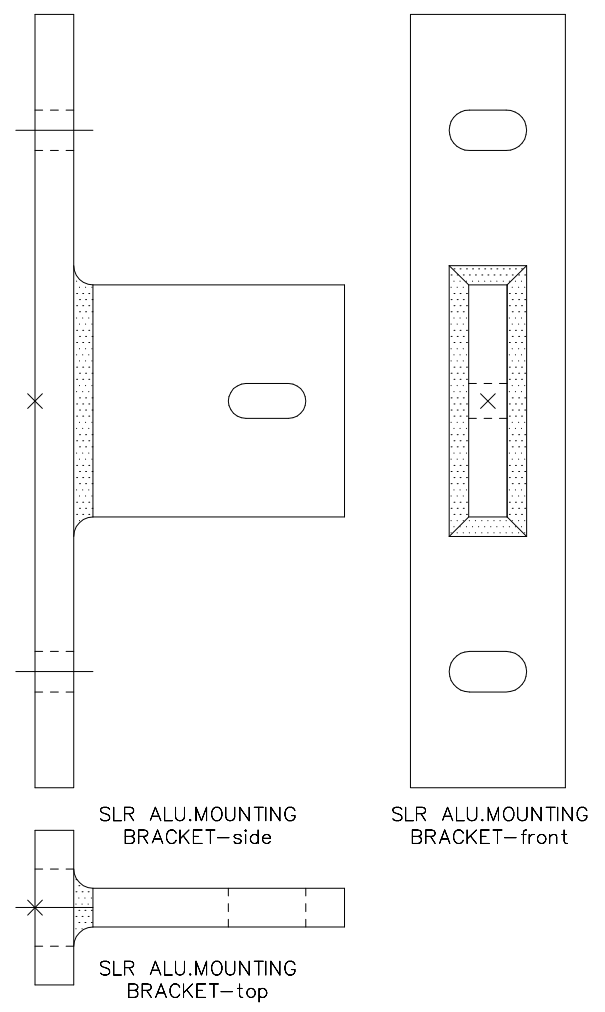
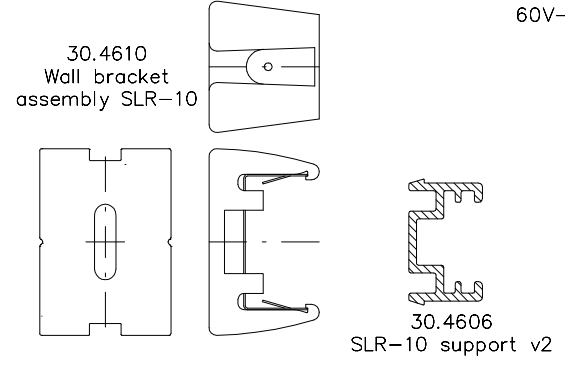
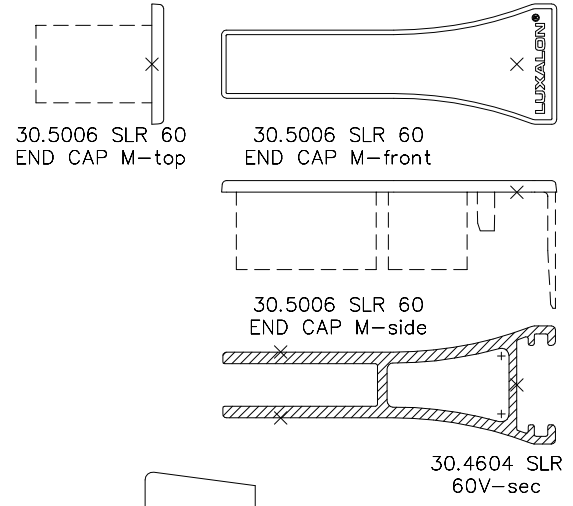
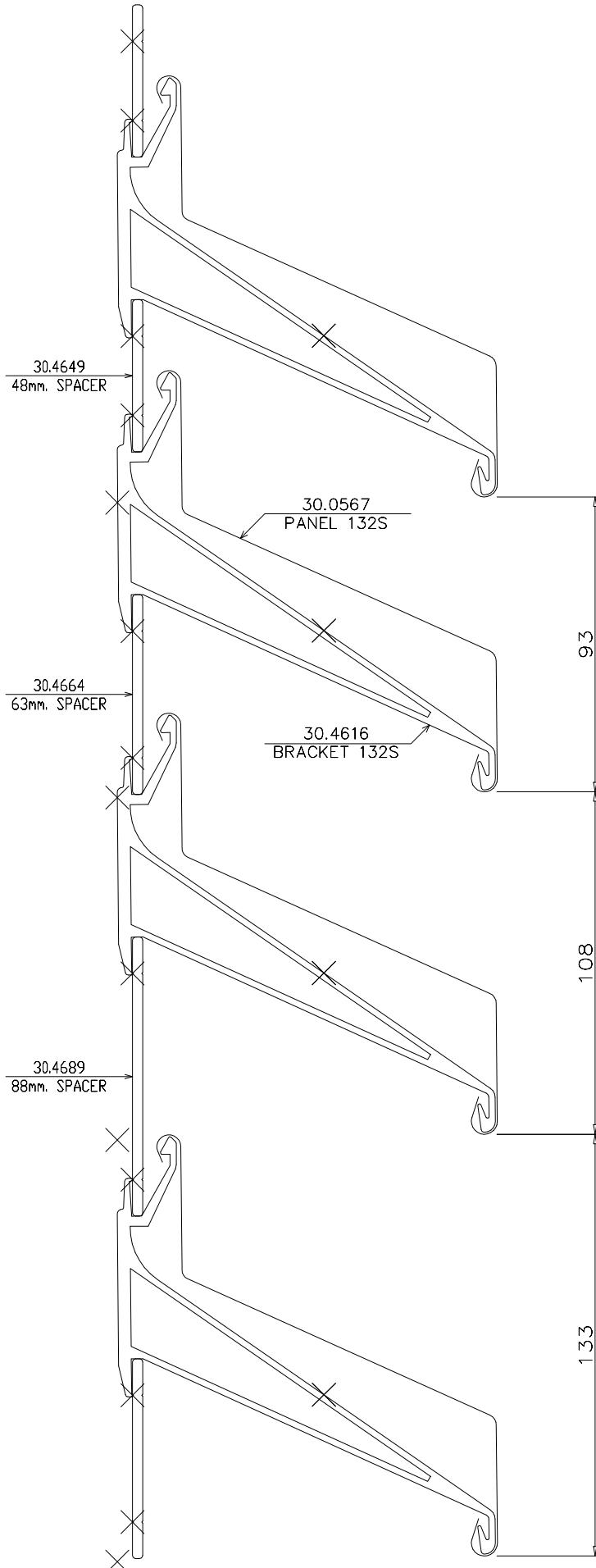
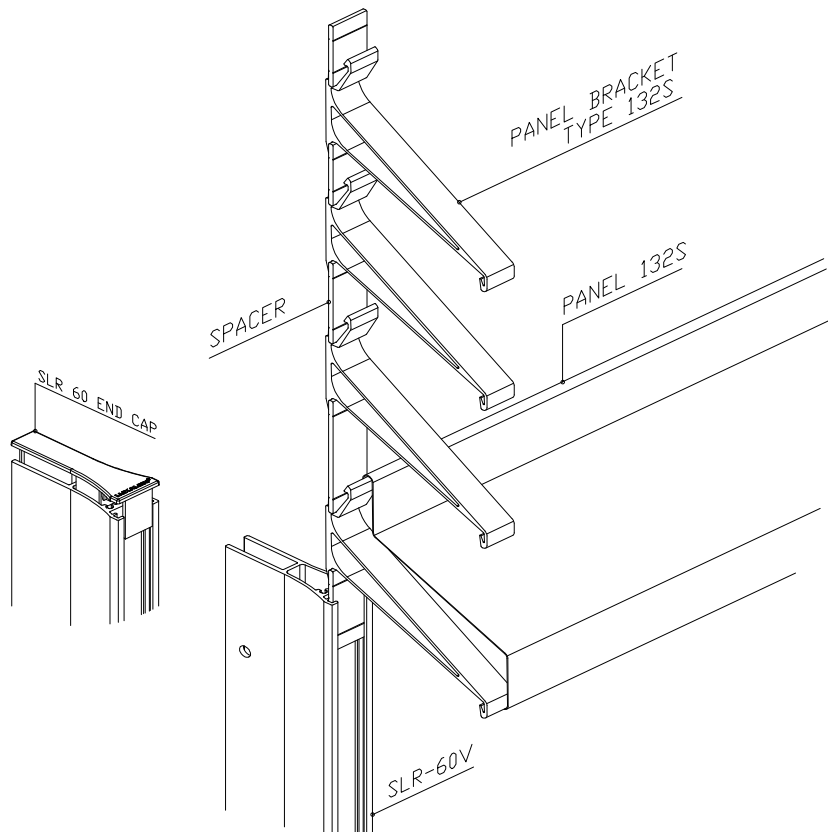
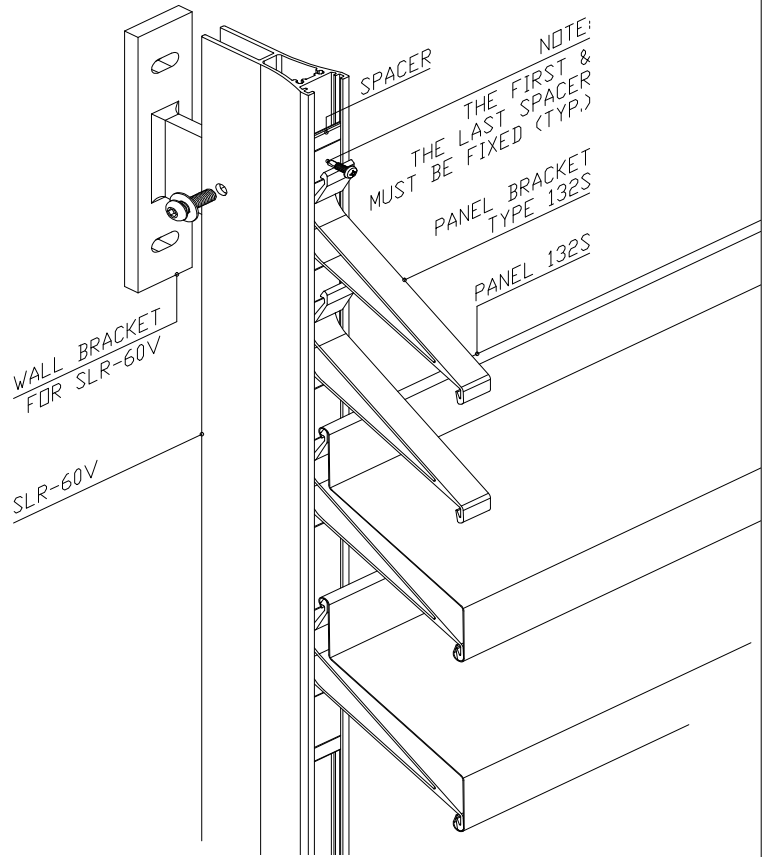
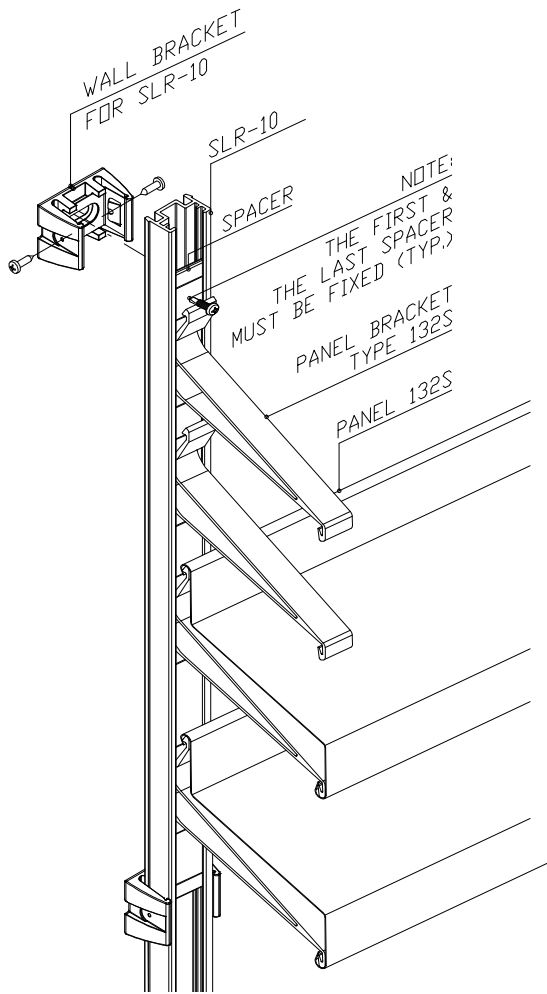


DRWG. No. SC-SL-132S-2D-01	SCALE: 1:2	REV. A	DATE: 28-10-2010	SIZE: A4
-------------------------------	---------------	-----------	---------------------	-------------

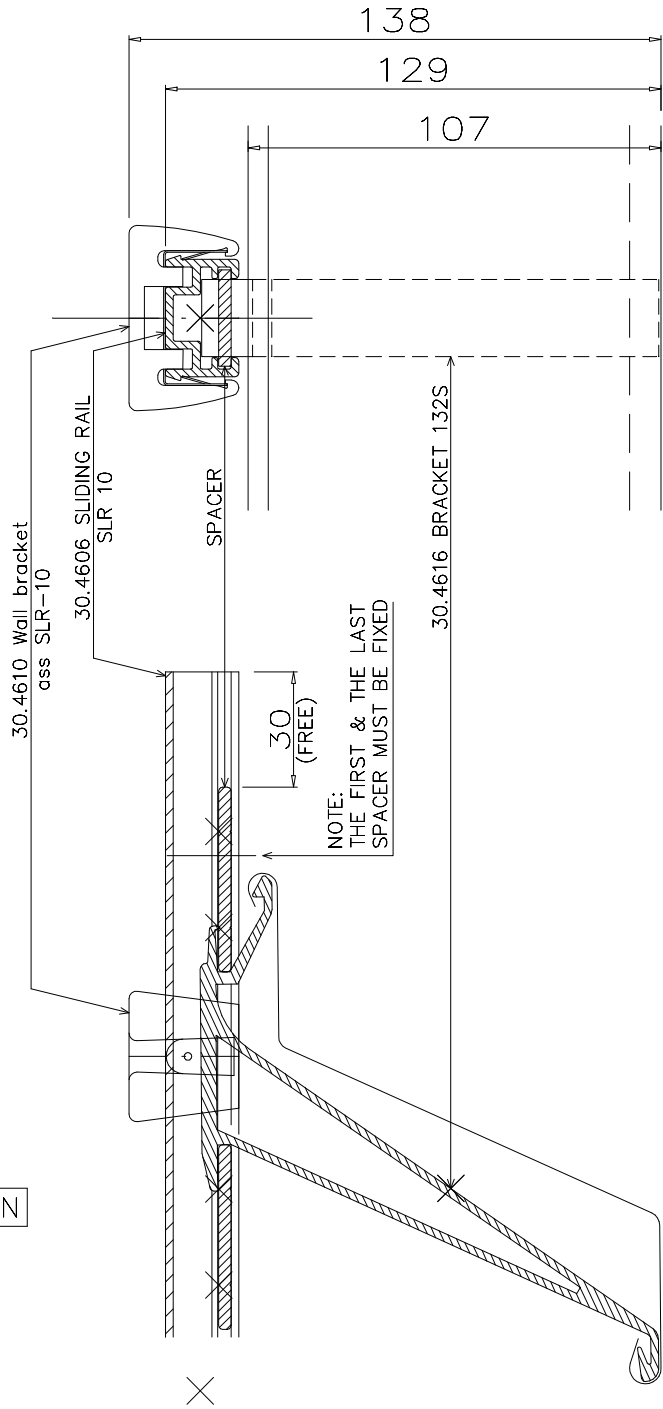


DRWG. No. SC-SL-132S-2D-02	SCALE: 1:2	REV. C	DATE: 8-4-2014	SIZE: A4
-------------------------------	---------------	-----------	-------------------	-------------



PLAN 132S-2

SIDE/SECTION



DRWG. No. SC-SL-132S-2-2D-04	SCALE: 1:2	REV. A	DATE: 8-4-2014	SIZE: A4
---------------------------------	---------------	-----------	-------------------	-------------