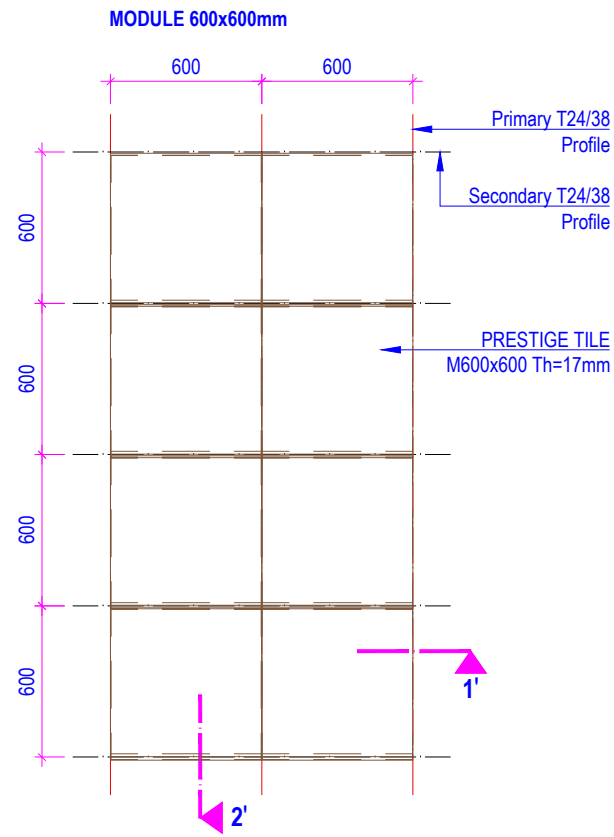
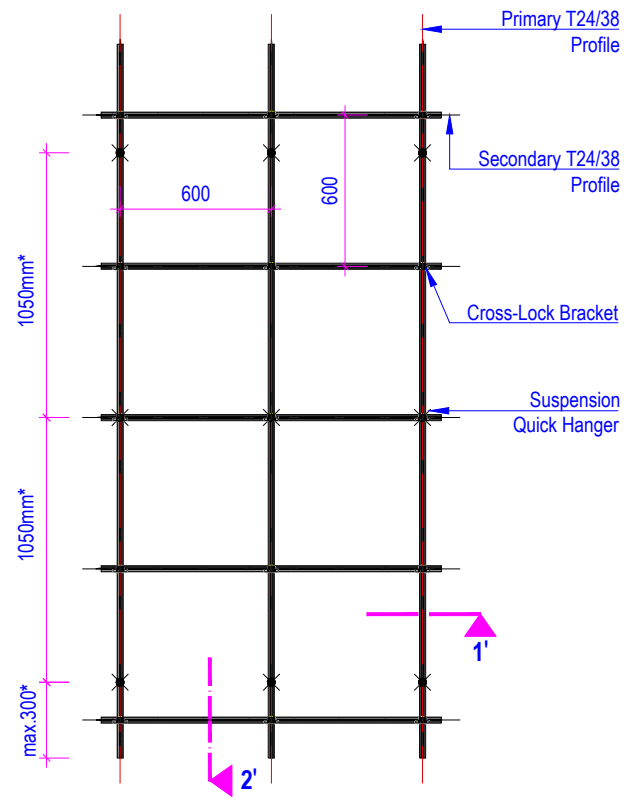


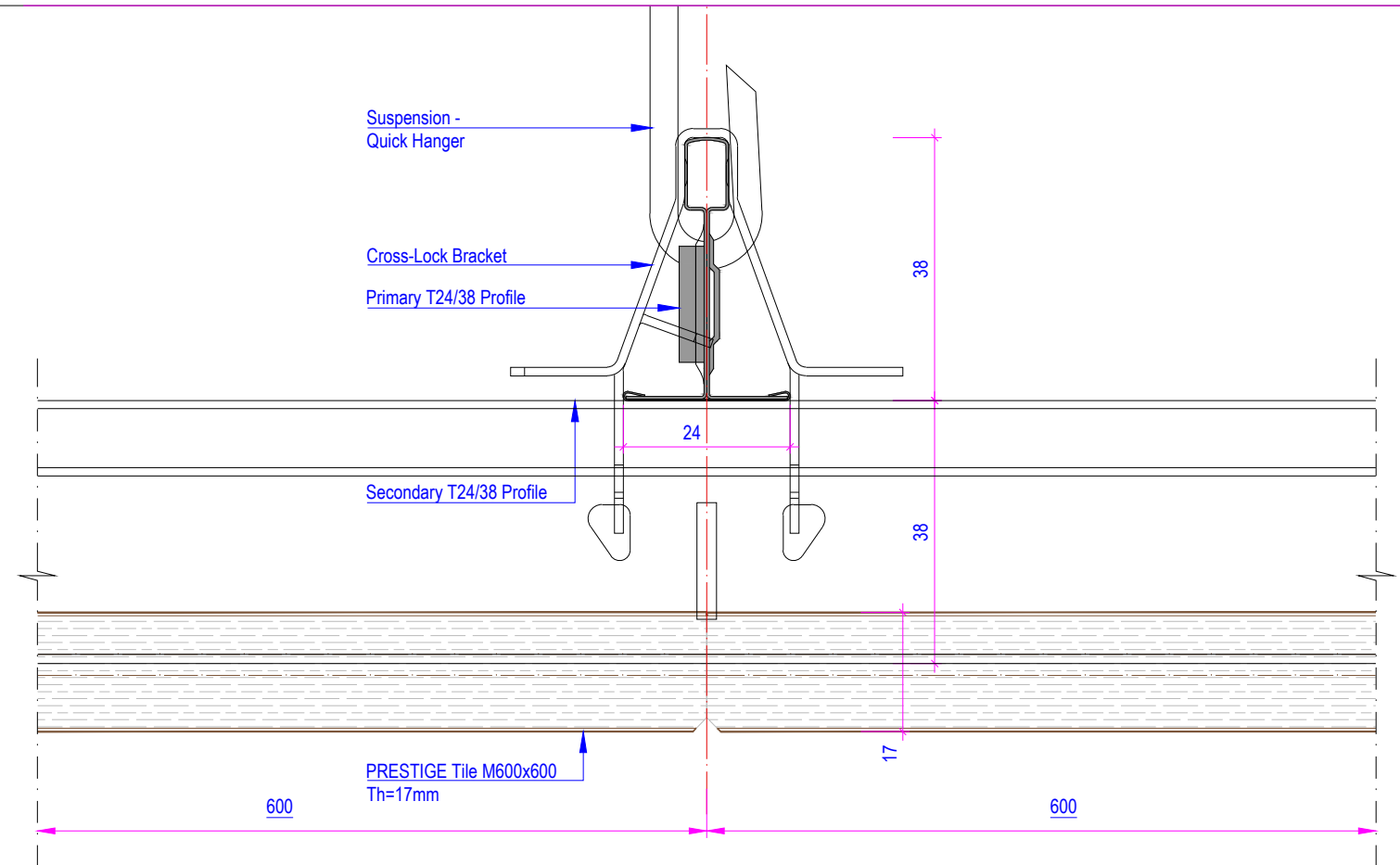
PRESTIGE TILE



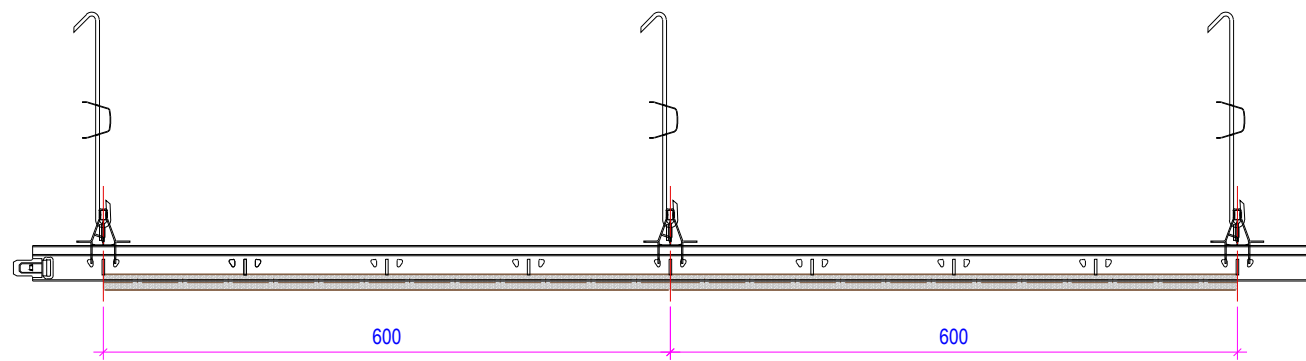
TILE LAY-OUT scale 1:30



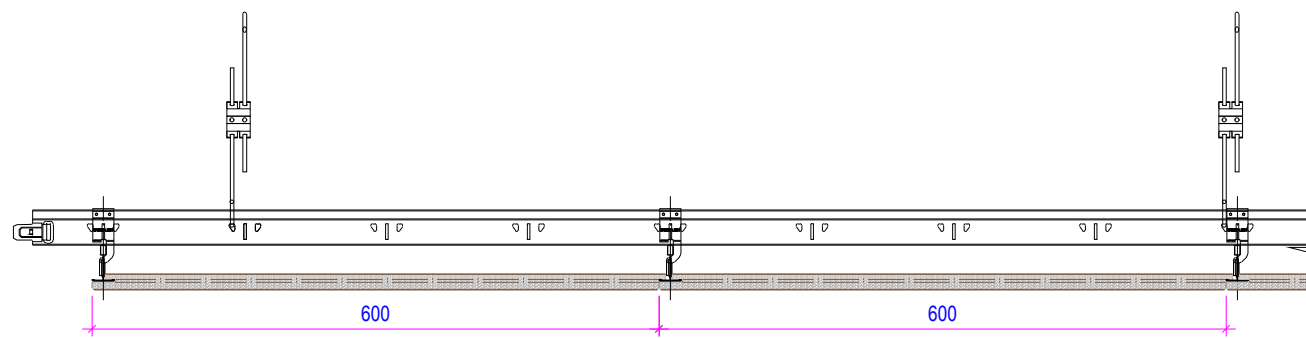
STRUCTURE LAY-OUT scale 1:30



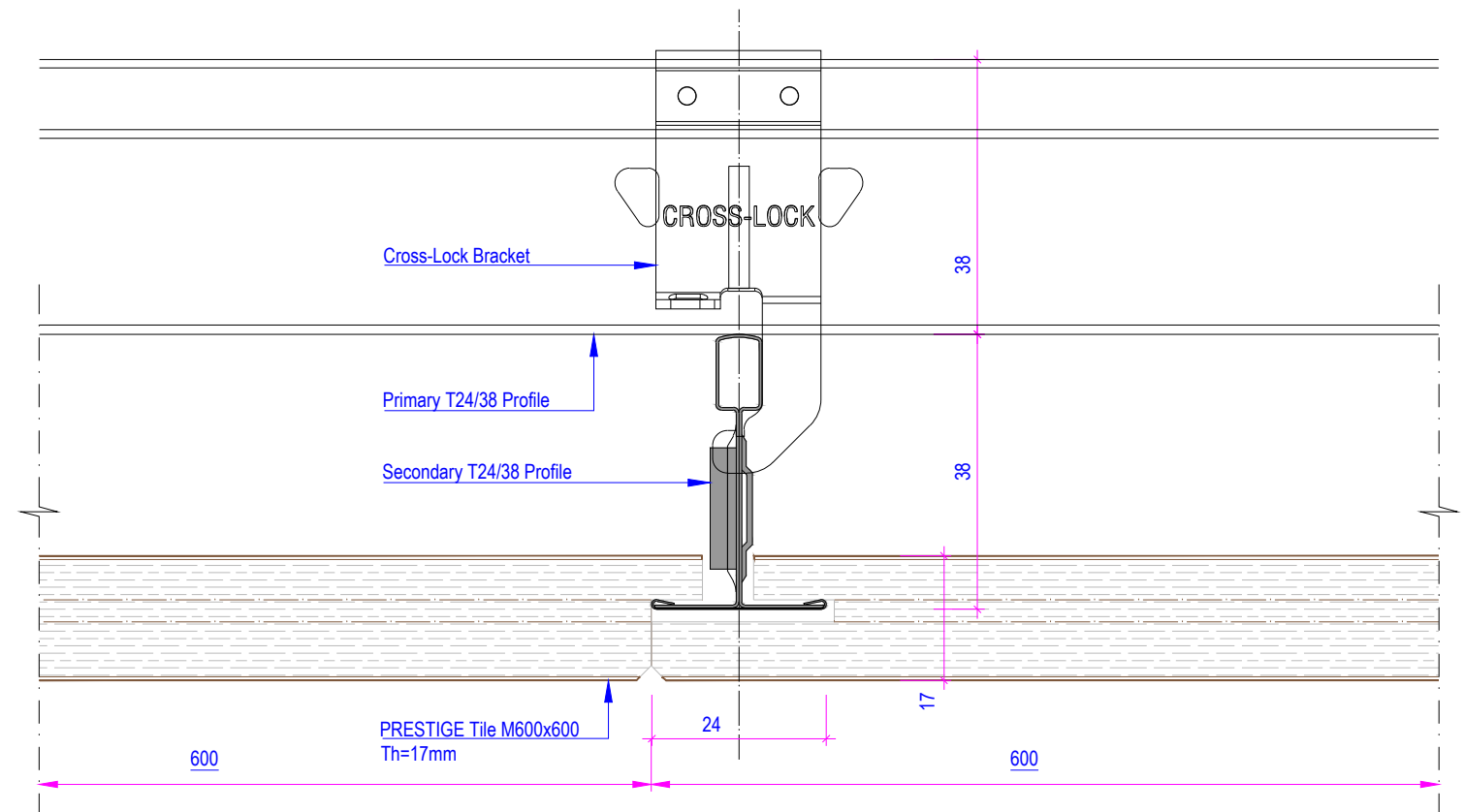
DETAIL SECTION 1' scale 1:1



CROSS-SECTION 1' scale 1:8



CROSS-SECTION 2' scale 1:8



DETAIL SECTION 2' scale 1:1

NOTE: max.300* / max.1050mm* - Maximum length of carrier cantilever and carrier span are specified in CEILING SUSPENSION INFORMATION

HunterDouglas 
Architectural

Drwg.No. C-i-VW-TI-PR-T24 -2D_2017_Application- 600x600mm	Date: 01-08-2017	Scale: 1:1, 1:8, 1:30
	Size: A3	Rev: REV.NO.
Subject: Interior Veneered Wood Tiles Ceiling		