



ACC THREADED M6-side



33.4789 SUSPENSION ELEMENT-front



33.4789 SUSPENSION ELEMENT-side



33.4173 CARRIER(V) SPLICE-front



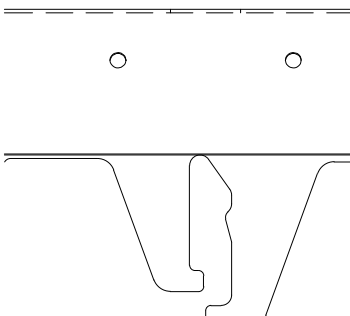
33.4173 CARRIER(V) SPLICE-side



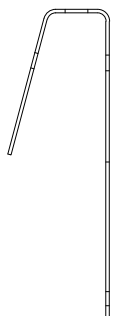
33.2147 UNPRONGED AL CARRIER-sec



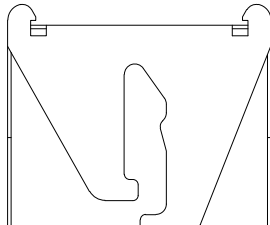
33.2147 UNPRONGED AL CARRIER-side



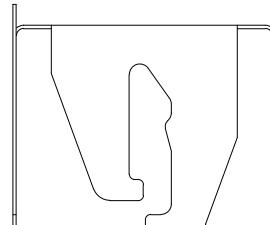
33.2575 33.2547 33.2553 AL CARRIER 100 150 200-side



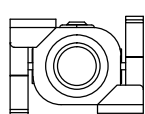
33.2575 33.2547 33.2553 AL CARRIER 100 150 200-sec




33.4589 CROSS BRACKET-front



33.4589 CROSS BRACKET-side



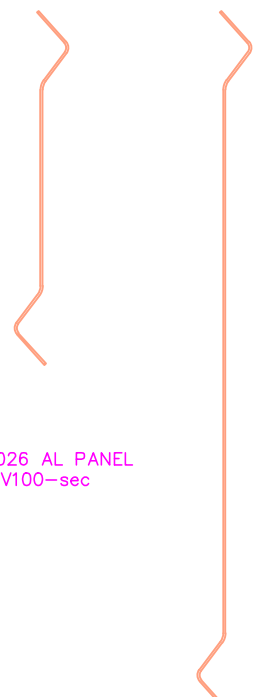
33.4620 PIVOT BRACKET-top



33.4595 SCREEN CLIP-side



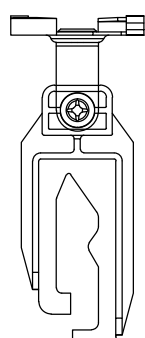
33.4595 SCREEN CLIP-front




33.1026 AL PANEL V100-sec



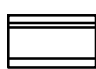
33.4620 PIVOT BRACKET-front




33.4620 PIVOT BRACKET-side



33.5501 PROFILE CLIP-side



33.5501 PROFILE CLIP-front



33.1260 AL PANEL V200-sec



33.5502 Q-ROUND BAFFLE ALU PROFILE-front



33.5503 Q-ROUND BAFFLE WOOD PROFILE-front

HunterDouglas

HUNTER DOUGLAS EUROPE B.V.

Architectural Projects

Drwg.No.

C-i-LI-SC-F-2D-01

Date:

01-04-2014

Scale:

1:2

Size:

A4

Rev:

1.0

Subject: Interior Linear Screen Ceiling - Fixed 2D

Window Coverings

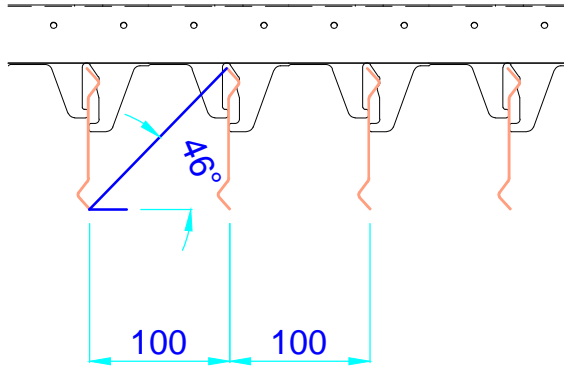
Ceilings

Sun Control

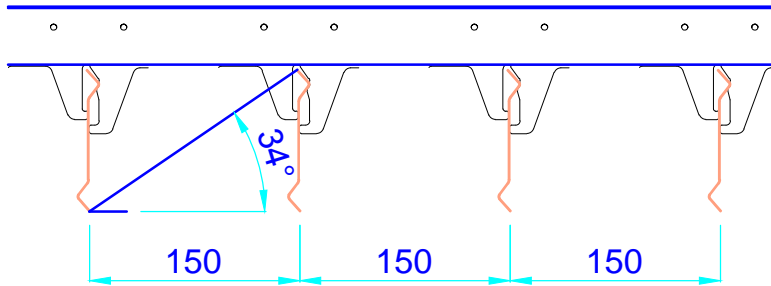
Façades

33.1026 V100 PANELS

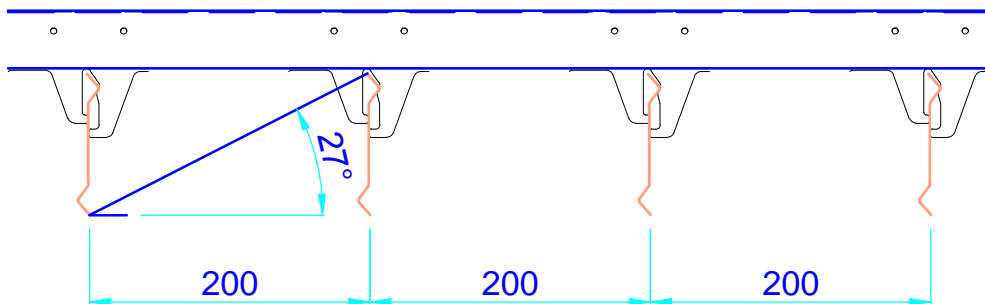
V100; Module 100mm



V100; Module 150mm



V100; Module 200mm



HunterDouglas

HUNTER DOUGLAS EUROPE B.V. Architectural Projects

Window Coverings | Ceilings | Sun Control | Façades

Drwg.No.

C-i-LI-SC-F-2D-02

Subject: Interior Linear Screen Ceiling Fixed 2D

Date:

01-04-2014 1: 5

Size:

A4

Scale:

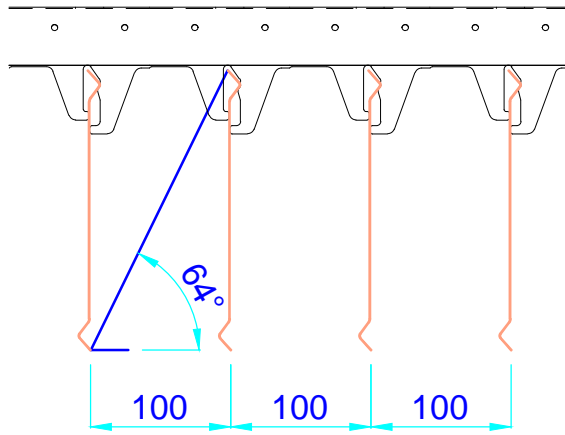
1: 5

Rev:

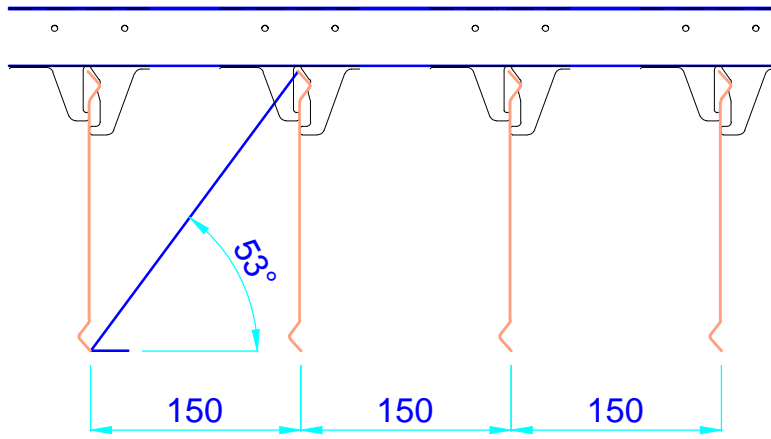
1.0

33.1260 V200 PANELS

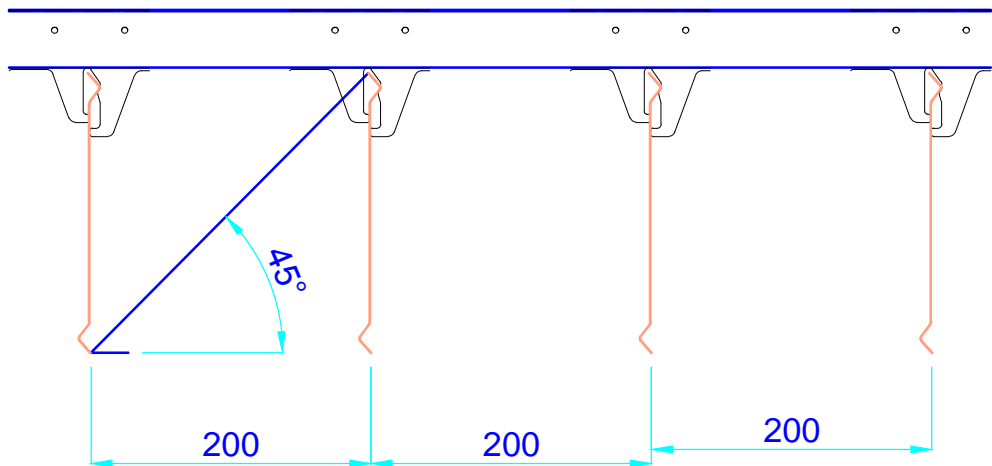
V200; Module 100mm



V200; Module 150mm



V200; Module 200mm



HunterDouglas

HUNTER DOUGLAS EUROPE B.V. Architectural Projects

Window Coverings | Ceilings | Sun Control | Façades

Drwg.No.

C-i-LI-SC-F-2D-03

Subject: Interior Linear Screen Ceiling Fixed 2D

Date:

01-04-2014

Scale:

1: 5

Size:

A4

Rev:

1.0