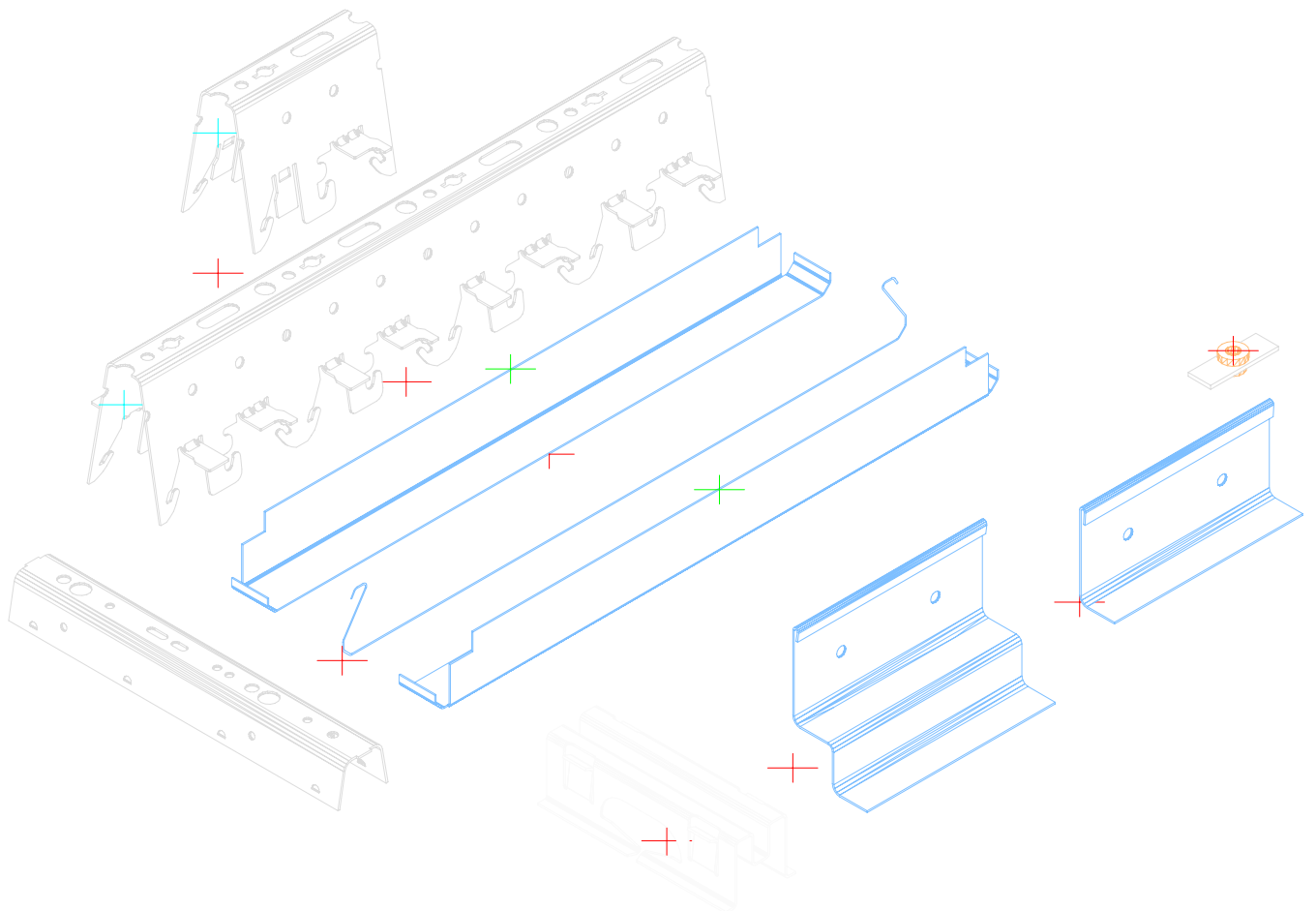
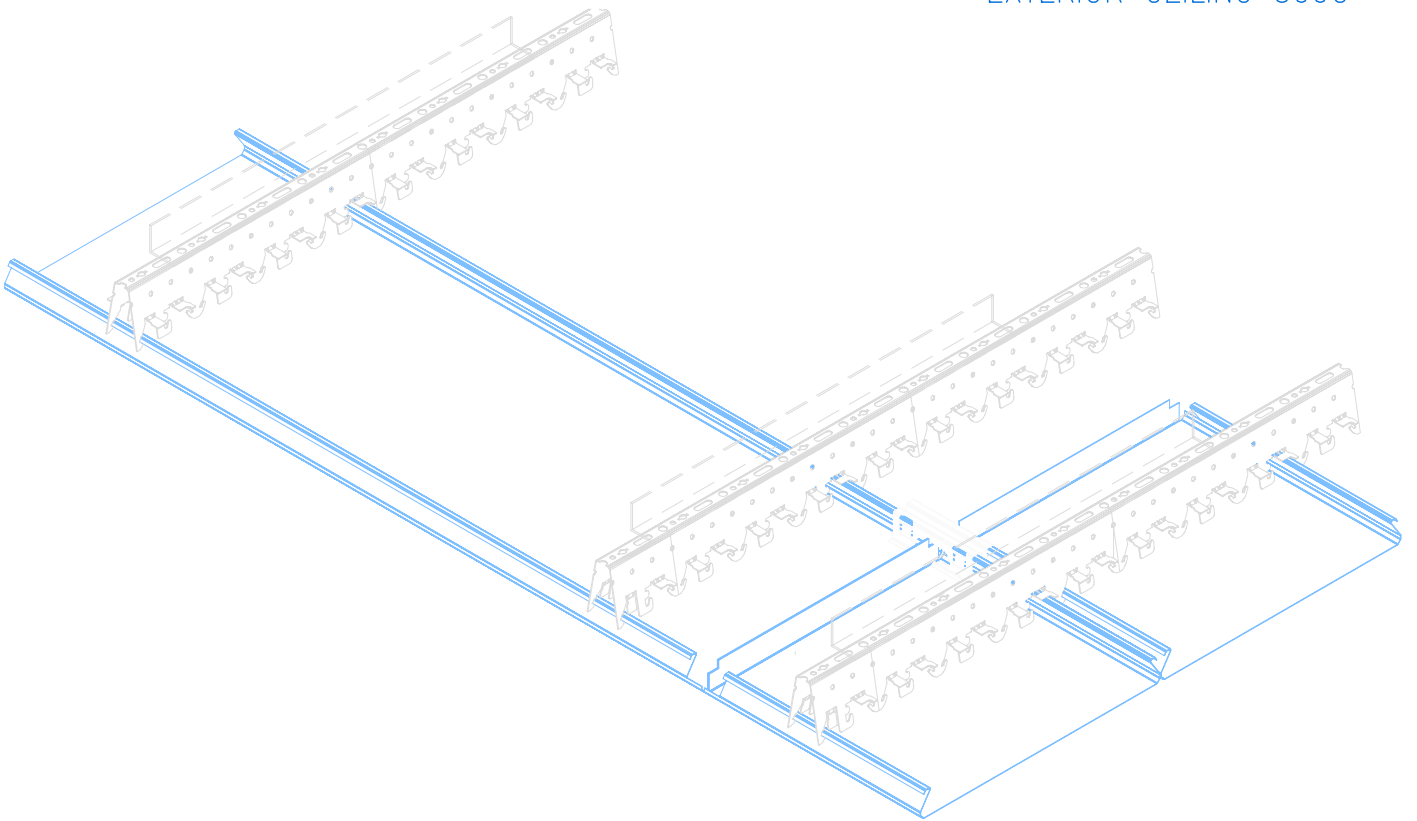


**LUXALON**<sup>®</sup>  
ARCHITECTURAL PRODUCTS  
EXTERIOR CEILING 300C



DRWG. No.  
C-e-WP-300C-3D-01

SCALE:  
N.T.S.

REV.  
0.0

DATE:  
05.01.04

SIZE:  
A4