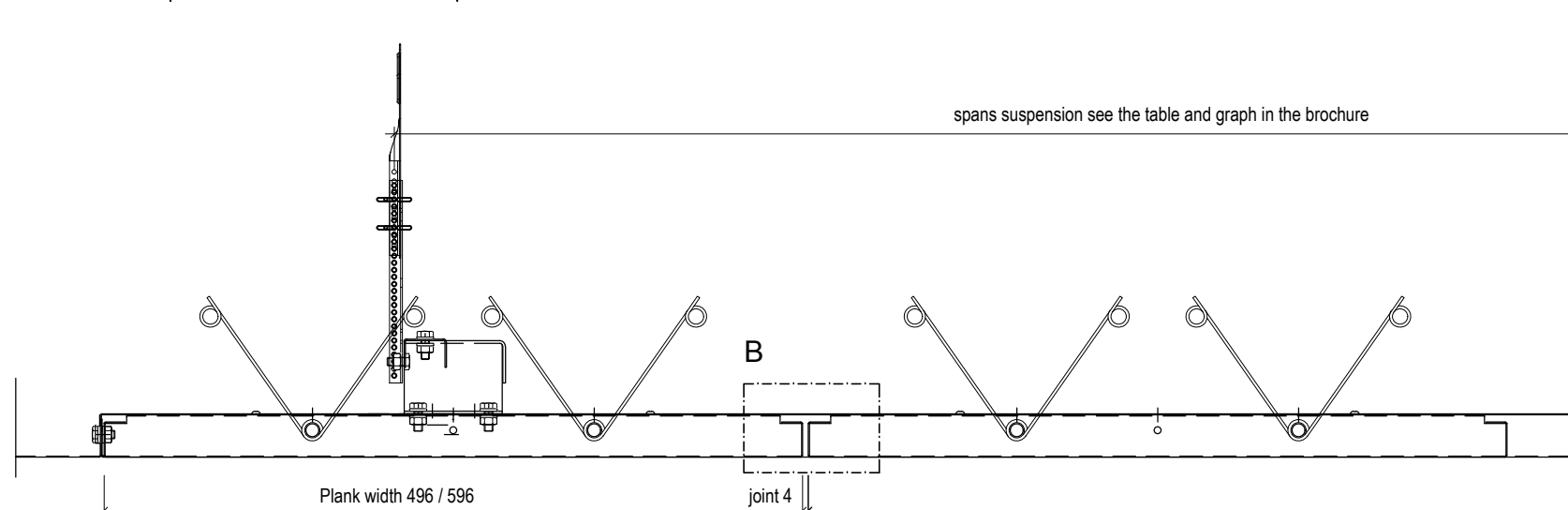
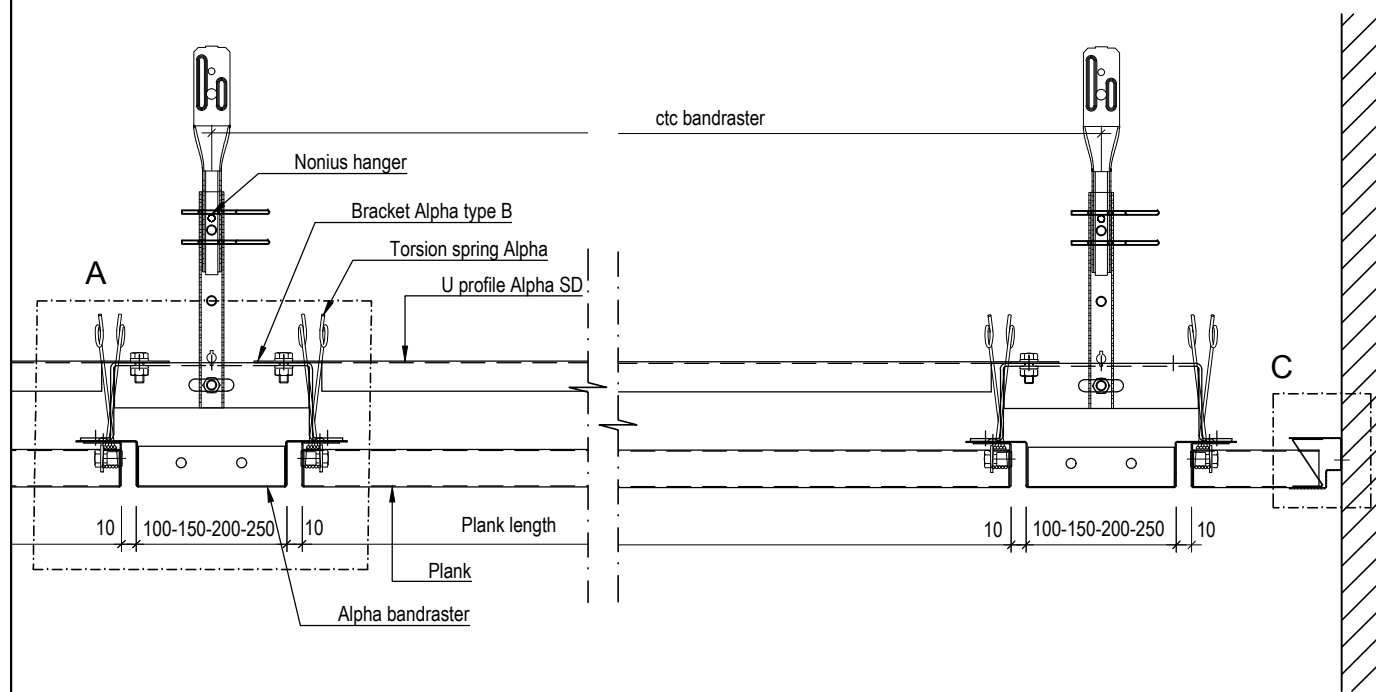
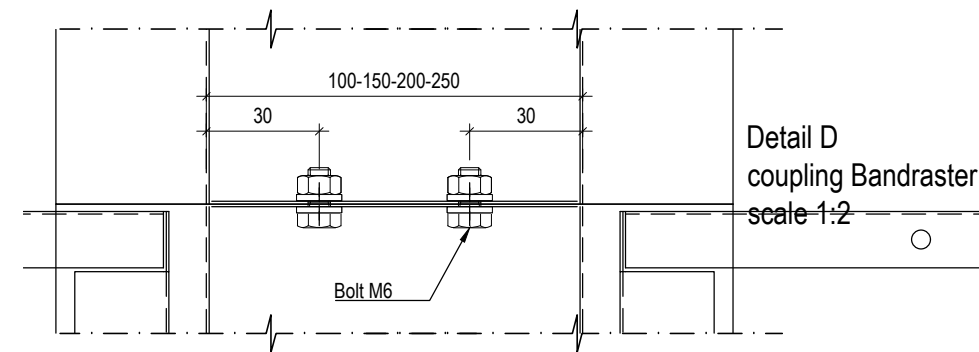
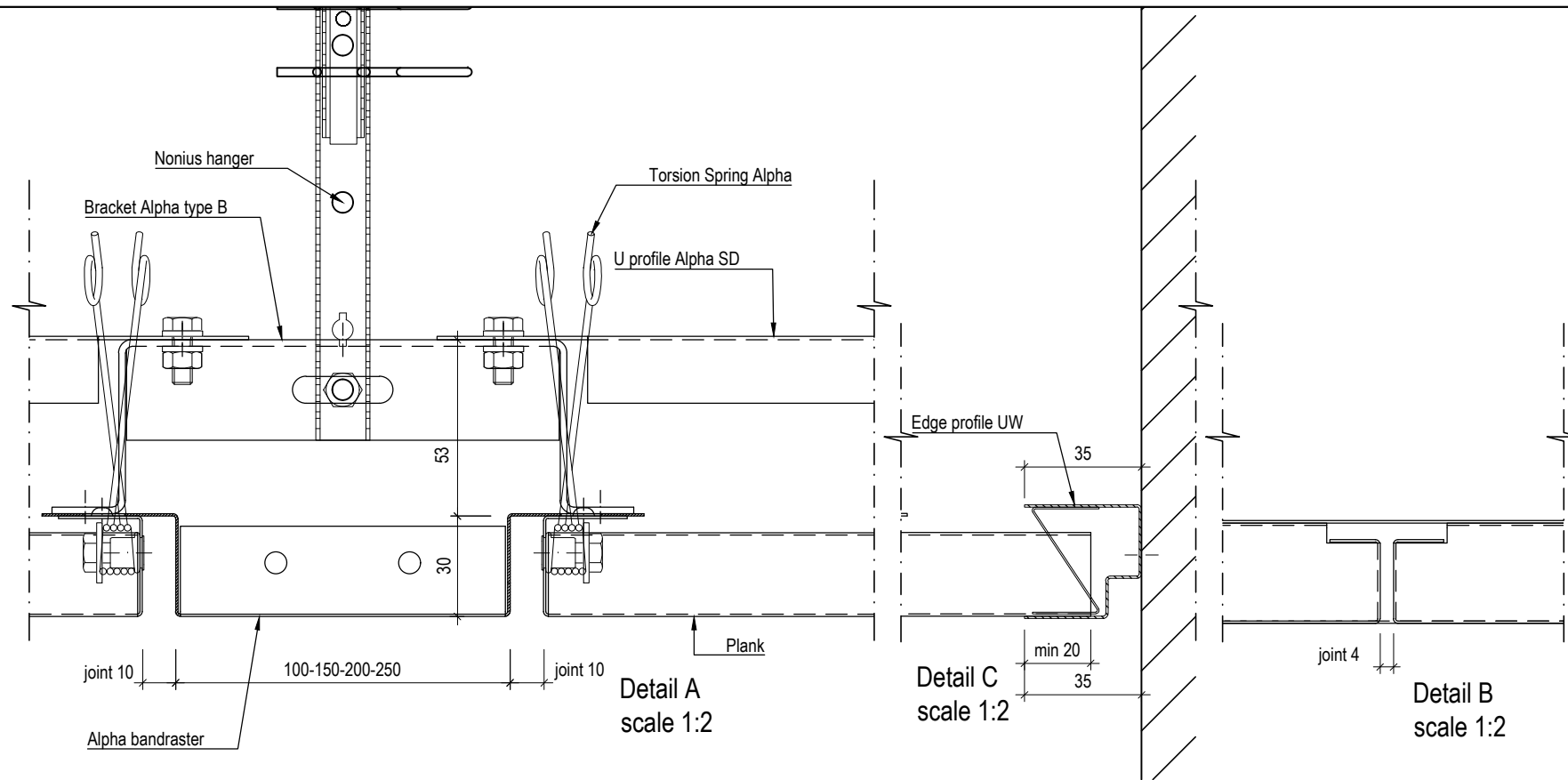
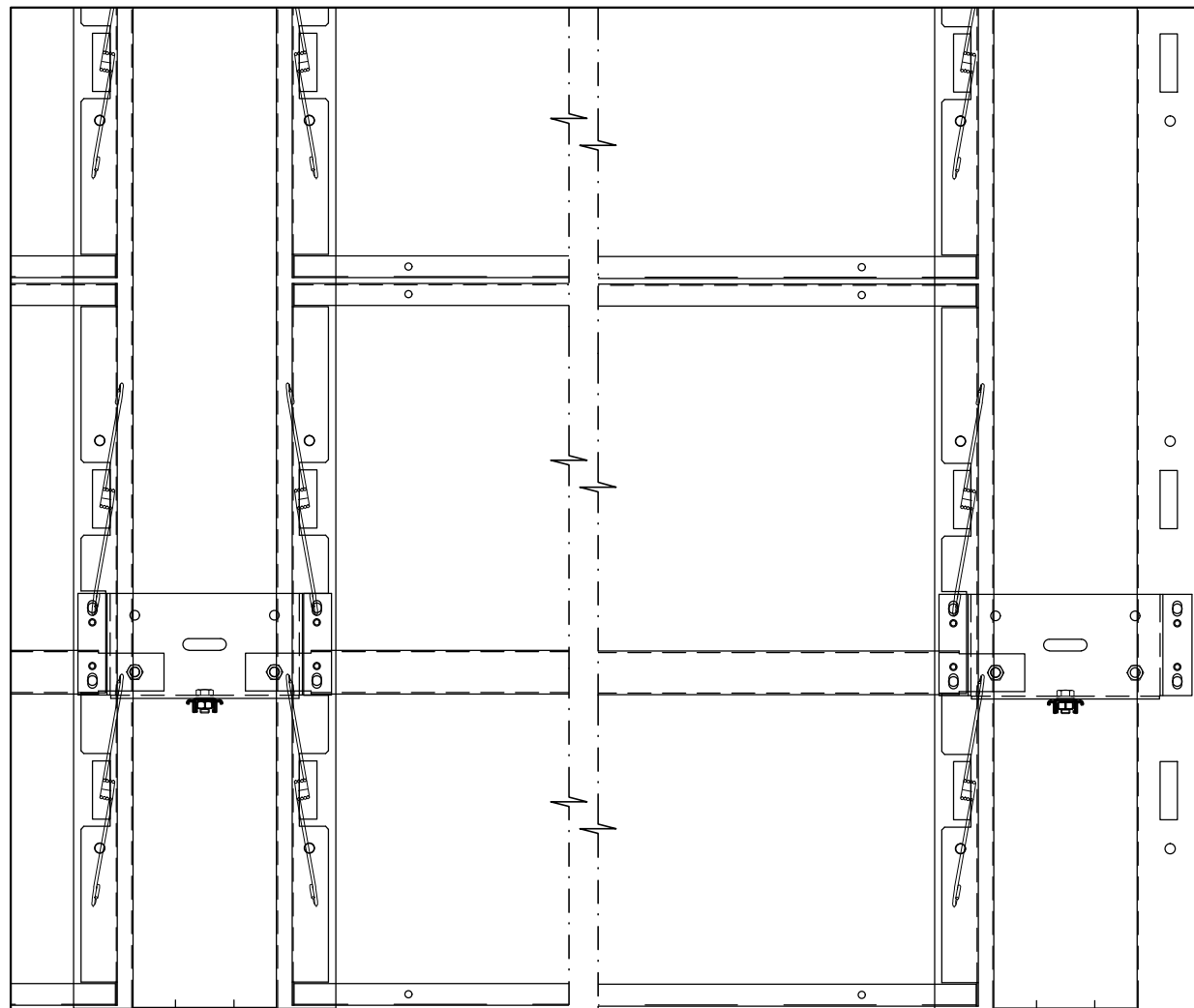


* -

HunterDouglas 
Architectural

Drwg.No. C-i-Me-PI-Alpha -Bandraster Torsion spring -2D_Application A	Date: 19.07.2019	Scale: 1:5
	Size: A3	Rev: -
Subject: Ceiling Interior Metal Planks Alpha Bandraster Torsionspring		

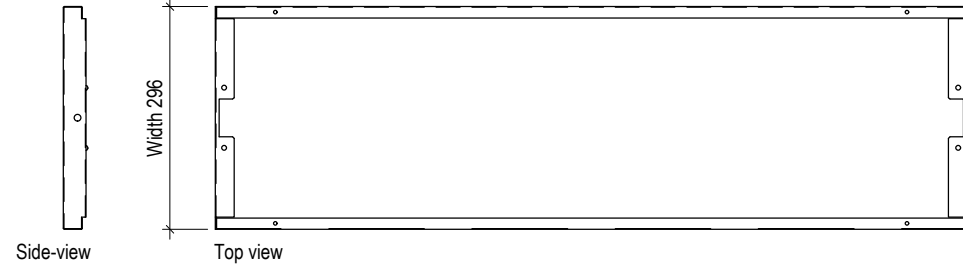


* -

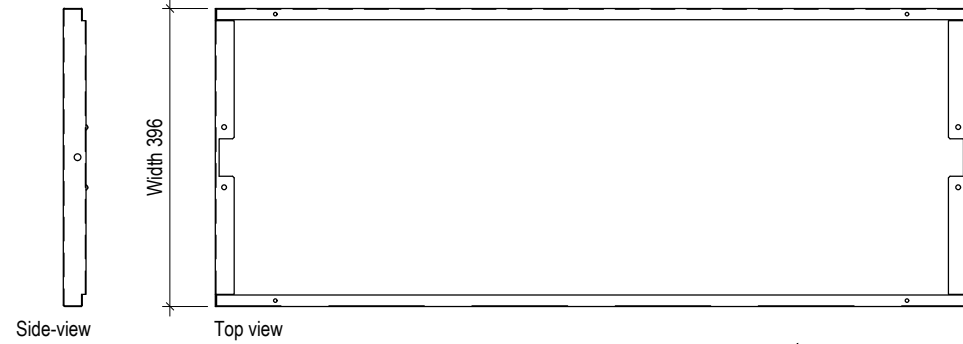
HunterDouglas 
Architectural

Drwg.No. C-i-Me-PI-Alpha -Bandraaster Torsion spring -2D_Application B	Date: 22.07.2019	Scale: 1:5
	Size: A3	Rev: -
Subject: Ceiling Interior Metal Planks Alpha Bandraaster Torsionspring		

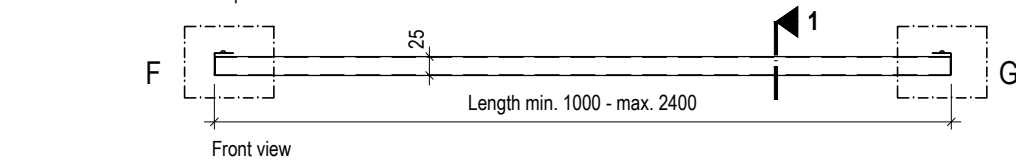
**Plank Alpha bandraaster
TS 300 Al / Fe**



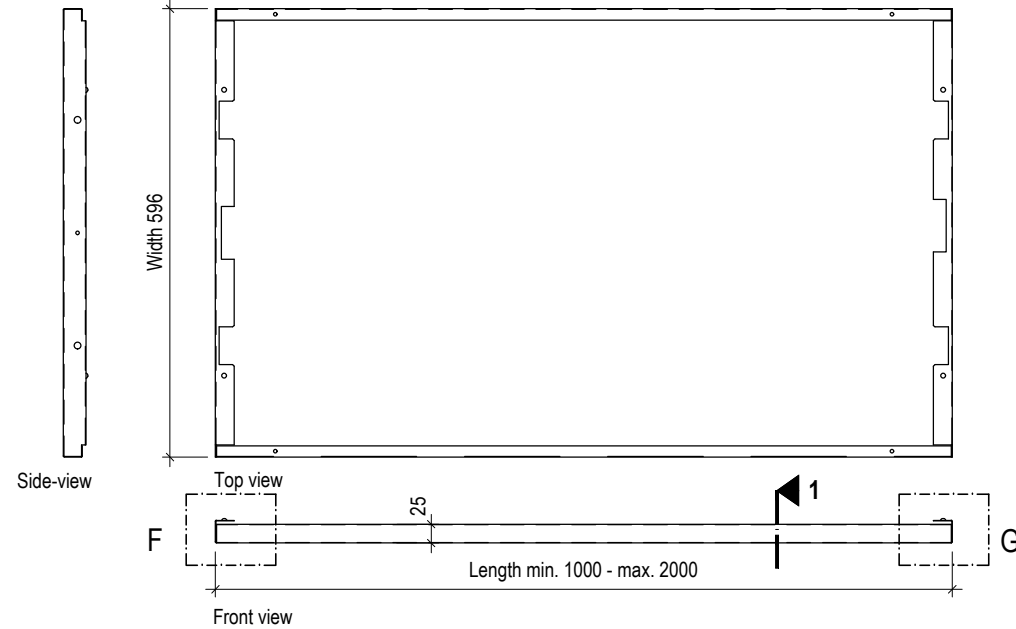
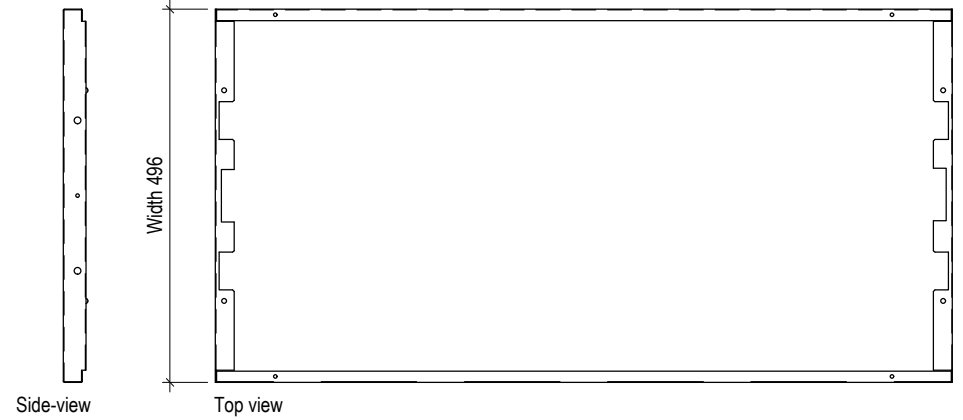
**Plank Alpha bandraaster
TS 400 Al / Fe**



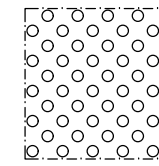
**Plank Alpha bandraaster
TS 500 Al / Fe**



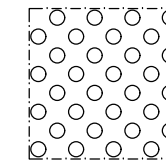
**Plank Alpha bandraaster
TS 600 Al / Fe**



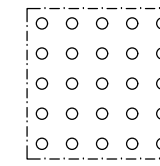
PERFORATION PATTERNS scale 1:1



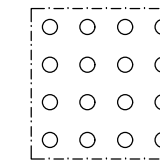
D1522
φ 1,5 mm
↑ 4 mm ↔ 4 mm
Openness 22 %



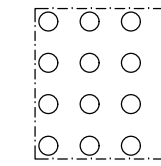
D2022
φ 2 mm
↑ 5 mm ↔ 5 mm
Openness 22 %



D1511
φ 1,5 mm
↑ 4 mm ↔ 4 mm
Openness 11 %

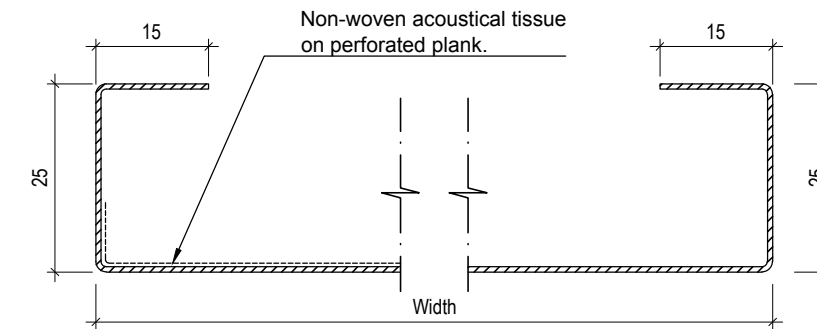


D2011
φ 2 mm
↑ 5 mm ↔ 5 mm
Openness 11 %

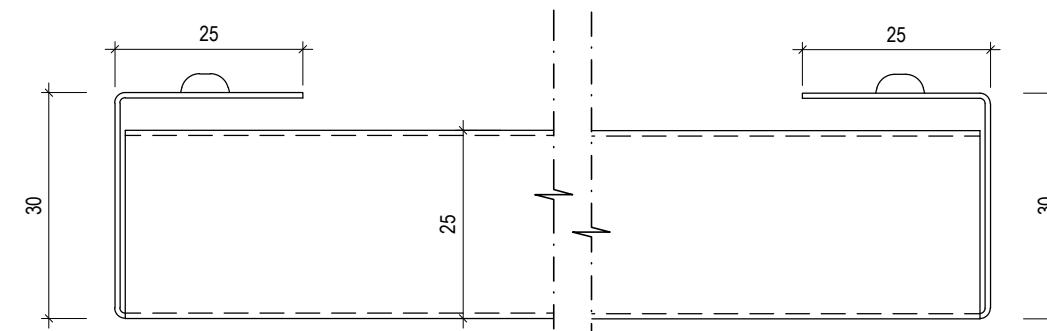


D2516
φ 2,5 mm
↑ 5,5 mm ↔ 5,5 mm
Openness 16 %

**Section 1
scale 1:1**

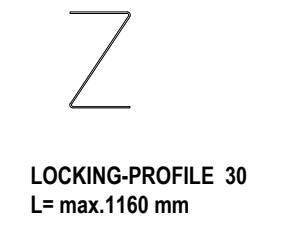
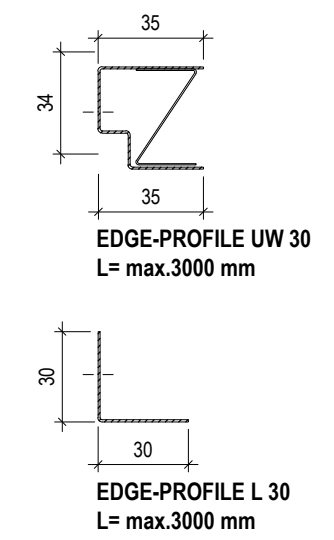
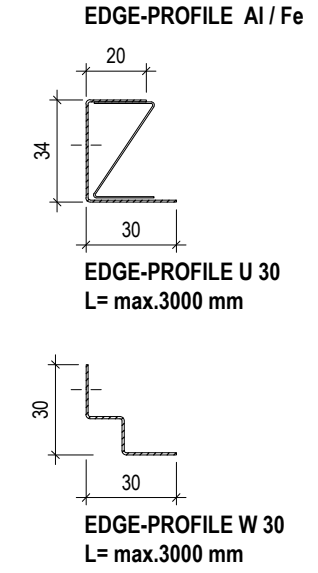
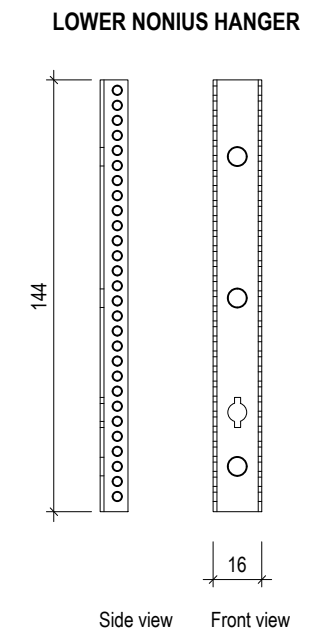
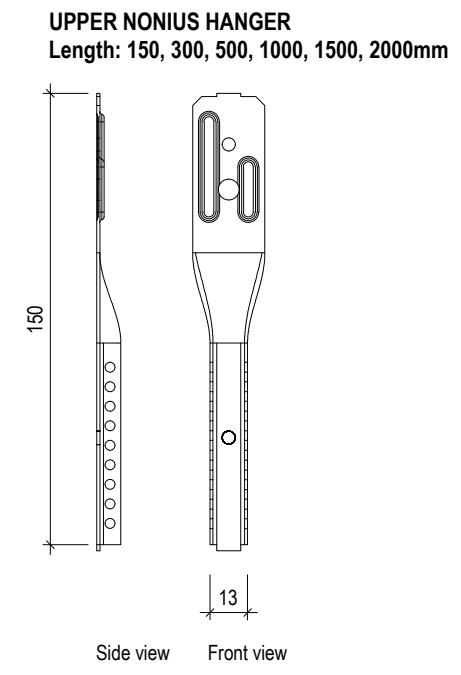
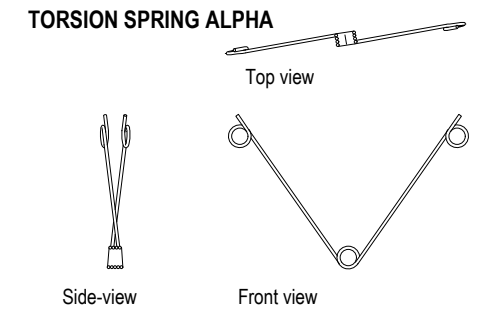
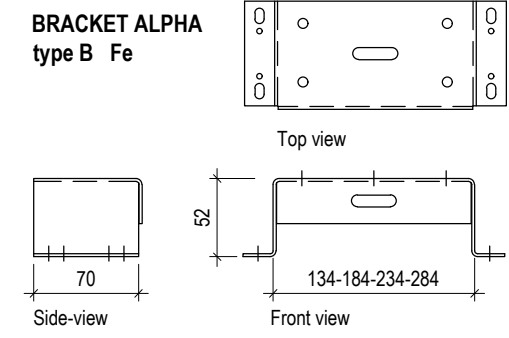
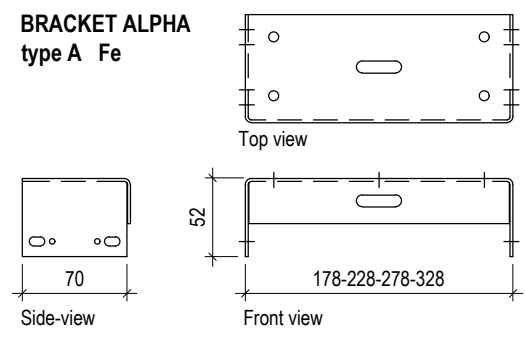
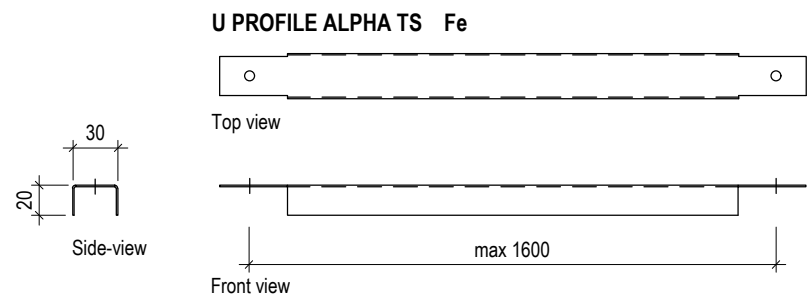
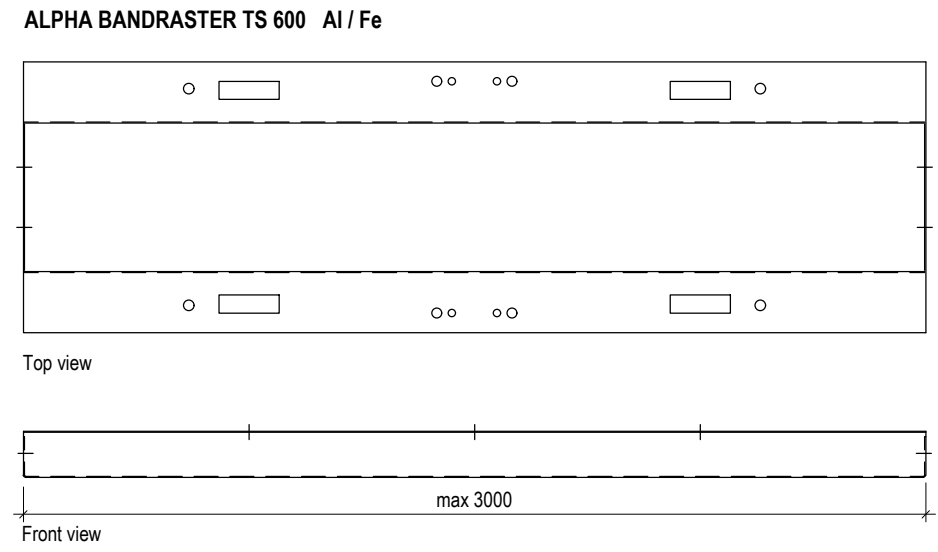
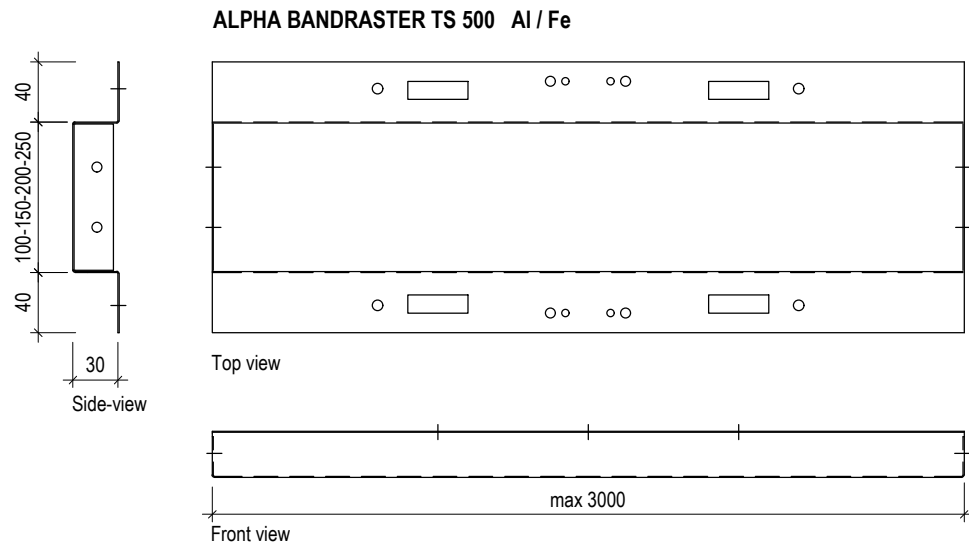
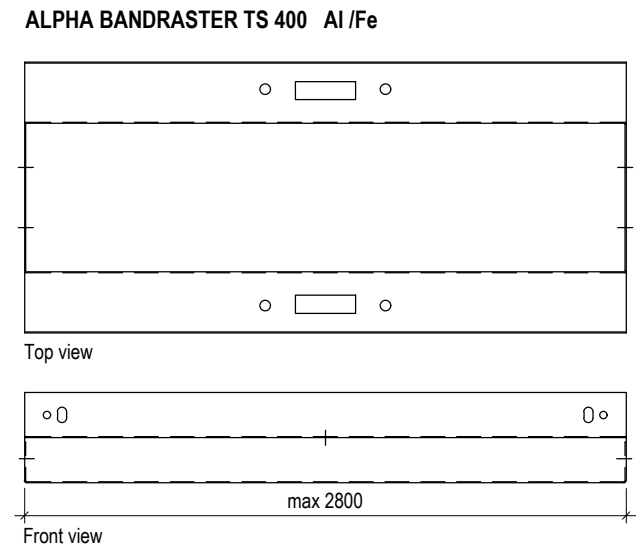
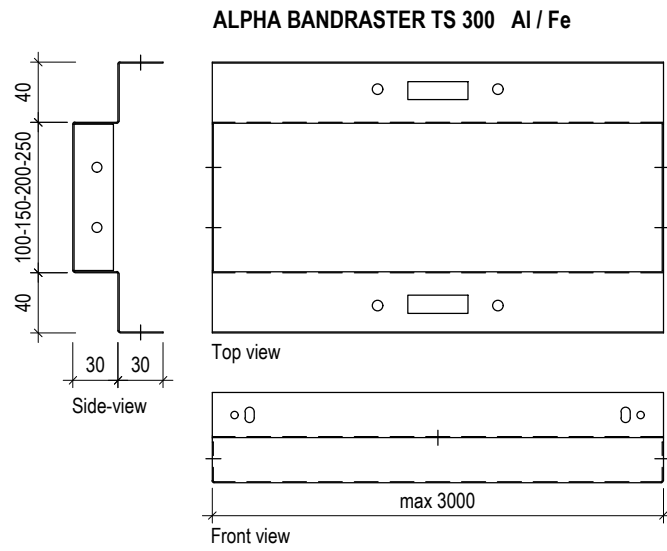


Width from	Width to	Length from	Length to	Height
300	400	1000	2400	25
500	600	1000	2000	25



**Detail F
scale 1:1**

**Detail G
scale 1:1**



Drwg.No. C-i-Me-PI-Alpha -Bandraster Torsion spring -2D_Carrier and Accessories	Date: 22.07.2019	Scale: 1:5
	Size: A3	Rev: -
Subject: Ceiling Interior Metal Planks Alpha Bandraster Torsionspring		